



NEW
T90 steel fire and smoke protection elements



Fire-Rated Doors and Smoke-Tight Door Assemblies

Fully glazed tubular frame parts for construction projects





Hörmann brand quality	4
Hörmann construction project door programme	6
Hörmann fire protection programme	8
Overview of door functions	10
<hr/>	
Aluminium system wall	12
F30 / F90 system wall	13
Aluminium automatic sliding door	14
T30 automatic sliding door	16
Aluminium fire and smoke protection elements	18
System overview	19
Features	20
T30 / F30 fire and smoke protection elements	23
T60 / F60 fire and smoke protection elements	25
T90 / F90 fire and smoke protection elements	27
Smoke protection elements	28
Clear passage	30
Fixed glazings	31
<hr/>	
Steel system wall	34
F30 system wall S-Line	35
F30 system wall N-Line	35
Steel fire and smoke protection elements S-Line / N-Line	36
System overview	37
Features	38
T30 fire and smoke protection elements S-Line	40
F30 / G30 fire and smoke protection elements S-Line	41
Smoke protection elements S-Line	43
T30 fire and smoke protection elements N-Line	44
F30 / G30 fire and smoke protection elements N-Line	45
Smoke protection elements N-Line	47
Clear passage	48
Fixed glazings	49
<hr/>	
T90 steel fire and smoke protection elements	50
System overview	52
Clear passage	53
Hörmann product range	54

The colours and surface finishes shown are subject to the limitations of the printing process and cannot be regarded as binding.

All rights reserved. No part may be reproduced without our prior permission. Subject to changes.

Figure to the left: ThyssenKrupp Q2 canteen, Essen

Figure on cover page: Citadeles Moduli, Riga; Interior design: m-plus design, Hamburg

Hörmann brand quality

Top safety and reliability

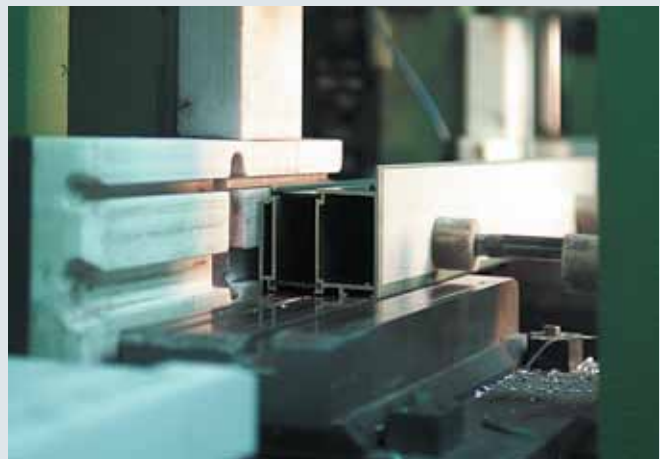


“The Squire” in Frankfurt am Main with Hörmann products



In-house product development

Growing and constantly changing functional and safety requirements necessitate continuous new construction and equipment developments and improvements, especially when it comes to moveable construction components such as doors. In this area, our qualified development teams time and again prove their great specialised expertise.



Highly sophisticated production methods

We at Hörmann rely on the latest production technology at our specialised factories. Computer-controlled operations ensure dimensionally accurate elements with perfectly fitted fittings and functional parts.



In the course of several decades, Hörmann has continuously developed its fire protection programme into today's complete range. In addition to this multifarious range of products for construction projects, Hörmann also offers individual solutions with case by case approval.

Highly-specialised factories develop and produce construction components that are marked by excellent quality, functional safety and a long service life.

Our presence in the global economy's key regions makes us a strong, future-oriented partner for industrial and public construction projects.



Fire testing at own fire test chamber

Our new and further developments are constantly tested for the required fire resistance and smoke-tightness through in-house fire tests at our fire testing centre. The knowledge gained from these tests ensures high fire protection for buildings. They also allow us to optimally prepare our innovations for the official inspections by the accredited testing centres for official approvals.



Expert building support

Experienced specialists within our customer-oriented sales organisation accompany you from the planning stage, through technical clarification up to the final building inspection.

Expert fitting is guaranteed by experienced Hörmann fitters and the specialised trained staff of Hörmann's partners.

Hörmann construction project door programme

The right solution for any requirement





Function doors

From sturdy steel internal doors and secure apartment entrance doors to fully glazed office doors up to external doors with thermal break, Hörmann offers a large programme with diverse colour and equipment variants.



Steel and stainless steel multi-function doors

Steel multi-function doors offer crucial advantages for architects and building owners: doors with different functional requirements that are fitted in the same storey match perfectly thanks to their identical look. STS/ STU steel and stainless steel doors feature a flush-fitting, elegant appearance.



Automatic sliding doors

Hörmann's AD 100 automatic sliding doors open reliably and safely in every situation. They are characterised by robustness, functional safety and sustainability. In addition, the automatic sliding doors are used in barrier-free construction and as escape route doors.



Visibility windows

Hörmann visibility glazings are used as windows or room-high elements to provide more light and better visibility. Visibility glazing is available for requirements like heat and acoustic insulation or radiation protection. All versions are offered in fire-retarding F30 and fire-resistant F90 variants. Individual solutions can be implemented using rail divisions and angles.

Figure to the left: Skyline Tower, Munich
with Hörmann products

Hörmann fire protection programme

Variety is our strength



Europe's largest fire protection programme



F30 / F90 system wall

The system wall combines a maximum of light with ideal fire protection without any transom or post profiles interrupting the view. The F30 system wall can be easily combined with matching Hörmann T30 aluminium doors and S-Line and N-Line T30 steel doors.



Only from Hörmann

T30 aluminium automatic sliding door

The T30 automatic sliding door expands your design possibilities. Combine the convenience and transparency of a fully glazed automatic sliding door with optimum fire protection.



Aluminium fire protection elements

Hörmann's aluminium fire-rated/smoke-tight doors and glazings will convince you with certified safety, perfect function and a 100 % matching appearance. These products allow Hörmann to provide a uniform fire protection concept for use in architecturally demanding construction projects.



Steel fire protection elements S-Line and N-Line

Hörmann provides both systems as T30 / F30 fire-rated doors and matching smoke-tight door assemblies. The S-Line system appears very delicate thanks to a fine frame structure. Narrow profiles enhance the look and passage width. The N-Line system is very robust and recommended for construction projects where the doors will be subjected to heavy strain.

Figure on the left: Q1 ThyssenKrupp Megacube, Essen, with Hörmann products

Overview of door functions

Everything is possible

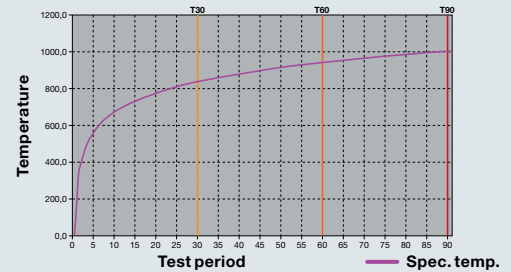


T30**Fire-retarding**
DIN 4102 / DIN EN 1634**T60****High fire resistance**
DIN 4102 / DIN EN 1634**T90****Fire-proof**
DIN 4102 / DIN EN 1634**RS****Smoke-tight**
DIN 18095**dB****Acoustic-rated**
DIN EN ISO 717-1**Ordered in correlation with the resistance class**

DIN EN V 1627 DIN EN 1627

WK 1**WK 2****RC 2****External door****Anti-fall safeguard glazing**

Fire-retarding fire protection elements are tested according to DIN 4102-T5 or DIN EN 1634-1 and officially approved. In fire tests, these doors must resist temperatures according to the temperature/time curve for at least 30 minutes (T30), 60 minutes (T60) or 90 minutes (T90).

Temperature/time curve according to DIN 4102 / DIN EN 1634-1

Smoke protection elements are approved according to DIN 18095 or DIN EN 1634-3. The surface edges of the frame must be permanently sealed to both sides of the building structure.

Acoustic-rated doors and glazings are approved according to DIN EN ISO 717-1. The stated acoustic values are laboratory values. The calculated acoustic value that can be achieved for the object is the laboratory value – 5 dB.

Break-in-resistant according to DIN EN 1627

The DIN EN 1627ff series of standards took effect in September 2011 for break-in-resistant doors. Hörmann break-in-resistant doors have been tested and classified in accordance with the European specifications of the prestandards DIN V ENV 1627 to 1630 since 1999. They are also voluntarily subjected to quality monitoring by an accredited test and certification authority and are recommended by the police.

RC 2 (WK 2) optional extras

- Triple lock
- Aluminium FS lever/knob handle set DIN 18257, class ES 1, with long escutcheon and pull-off protection
- 3-way adjustable hinges
- P4A glazing

Fire-rated and smoke-tight doors for outside use include thermally insulated outer doors as well as approved fire-rated and smoke-tight doors.

The compliance proofs of e.g. resistance to wind loads, water-tightness under heavy rain, air permeability, etc. are based on EN 14351-1.

The German state building codes require protection from lateral falls for circulation areas that are used by persons such as galleries, pedestals or stairways with a minimum height difference of 1000 mm (500 mm in Bavaria).

These directives can be complied with for example by a separately installed railing or, better yet, by a fixed glazing according to TRAV from Hörmann.

F30 / F90 aluminium system wall

Fire protection with maximal transparency for the most discerning demands



Discreet glazing joint

The individual glass panes are jointed with silicone (joint width 5 mm). Available in black as standard and on request in grey.

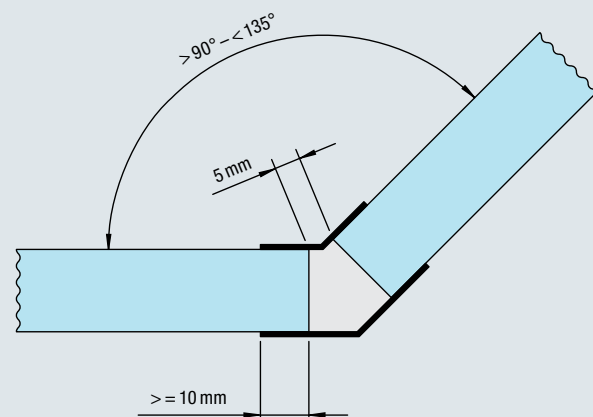


Black silicone joint

Grey silicone joint

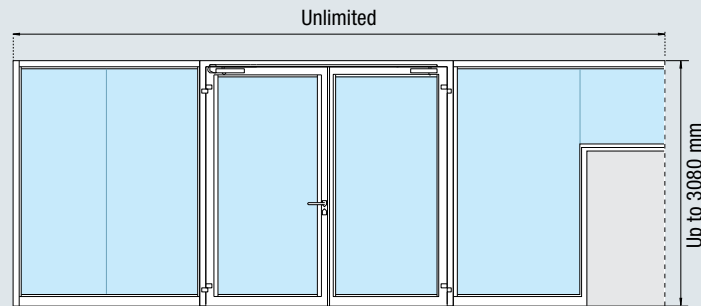
Corner connector

In corner areas with any type of angle, this system glazing does not require corner posts for aluminium F30. The joint with fire-rated silicone is elegantly concealed on the inside and the outside by a glued-on slim metal angle profile only. A technically and visually appealing solution.

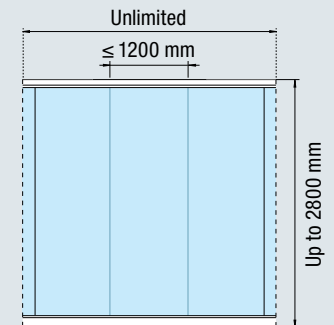


T30	Main functions
	Fire-retarding
	HE 331 SW
T90	Fire-proof
	HE 931 SW
RS	Smoke-tight

HE 331 SW



HE 931 SW



	HE 331 SW	HE 931 SW
Version	Fixed glazing	Fixed glazing
Profile system	Aluminium	Aluminium
Viewed width	70	70
Depth	80	80
Bottom section height	70 / 150	70 / 150
Fitting in		
Brickwork	≥ 115	≥ 240
Concrete	≥ 100	≥ 140
Gas concrete	≥ 175	≥ 240
Partition wall	≥ 100	≥ 100

Wall requirements based on size can be found in the fitting instructions at www.hoermann.com

The compliance proofs of e.g. resistance to wind loads, water-tightness under heavy rain, air permeability, etc. are based on EN 14351-1.

	HE 331 SW		HE 931 SW	
	Width	Height	Width	Height
Size range				
With fascia frame				
Overall frame dimension (ordering size)	Unlimited	3080	Unlimited	2800
Maximum door height		3000		Not available

T30 RS aluminium automatic sliding door

Perfection and transparency in the most limited space –
with general official approval





**Recommended
for barrier-free
construction**

At a glance:

- T30 aluminium fire-rated door
- Smoke-tight according to DIN 18095
- Single-leaf and double-leaf and with side elements and transom lights
- Matching the Hörmann aluminium fire protection programme
- Maximum clear passage width up to 1200 mm (single-leaf), 2600 mm for double-leaf, maximum clear passage height up to 2500 mm
- No guide rail in the passage area
- GEZE operator Slimdrive SL-T30 with only 70 mm installation height
- Fitting in brickwork / concrete and in light blockwork
- Door element TÜV approved, operator VDS approved
- General official approval by the DIBt



Narrow profile view of the operator with only 70 mm installation height

DIBt
Deutsches Institut für Bautechnik

Allgemeine bauaufsichtliche Zulassung

ANALYST DER GEFÄHRDUNGEN FREIGABE
Zulassungsgesellschaft für Feuerproben und Bauteile
Bauteiltechnisches Prüfamt
Wegscheider-Strasse 10
Technische Zeichnungen: DIBt und der Europäischen Union
für den Approval im Bauwesen (AIA)

Telefon: +49 30 26732-0
Fax: +49 30 26732-200
E-Mail: dibt@DIBt.de

Seitens: 2. Oktober 2008 Gültigkeitsbereich: 100 30-1-0-20 (D) 87

Zulassungsgesellschaft: 2-6-20-1-997 Zulassungsbereich: 31. Oktober 2013

Hersteller:
Hörmann AG
Brennstraße 10, 46229 Herten

Zulassungsgegenstand:
T 30-0-FSA "T30-0-1" bzw. T 30-0-05-FSA "ASV-1" bzw.
T 30-0-FSA "T30-0-2" bzw. T 30-0-05-FSA "ASV-2" bzw.
T 30-0-FSA "T30-0-3" bzw. T 30-0-05-FSA "ASV-3" bzw.
T 30-0-FSA "T30-0-4" bzw. T 30-0-05-FSA "ASV-4"

Darüber hinaus genehmigte Zulassungsgegenstände sind ebenfalls allgemein bauaufsichtlich zugelassen.
Diese allgemeine bauaufsichtliche Zulassung enthält alle Seiten und technische Anlagen.

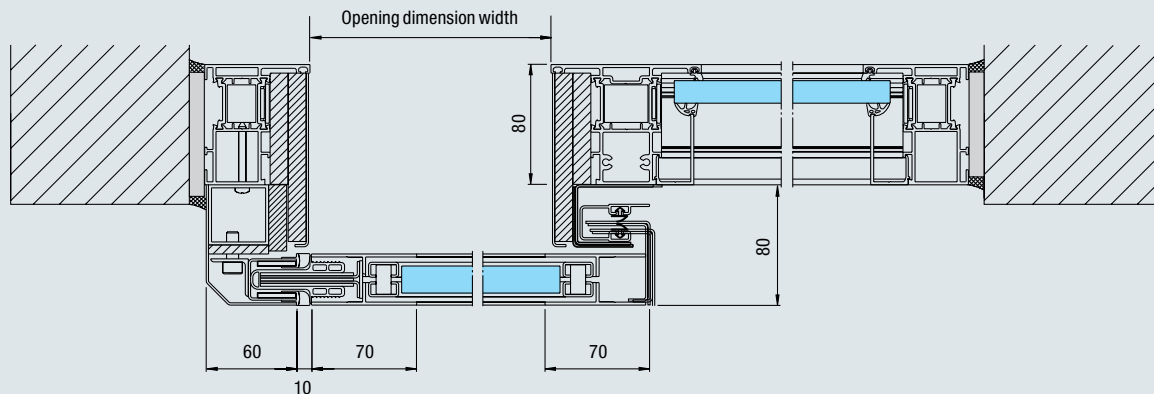
Bauteile herstellt (D): Bauteilhersteller (D) von Bauteil und Zulassungsgesellschaft genehmigte Zulassung
DIBt (Kommunikation): 011 0-10010 Berlin | Tel: +49 30 26732-11 | Fax: +49 30 26732-100 | E-Mail: dibt@DIBt.de | www.dibt.de

T30 aluminium automatic sliding door

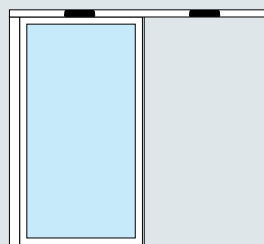
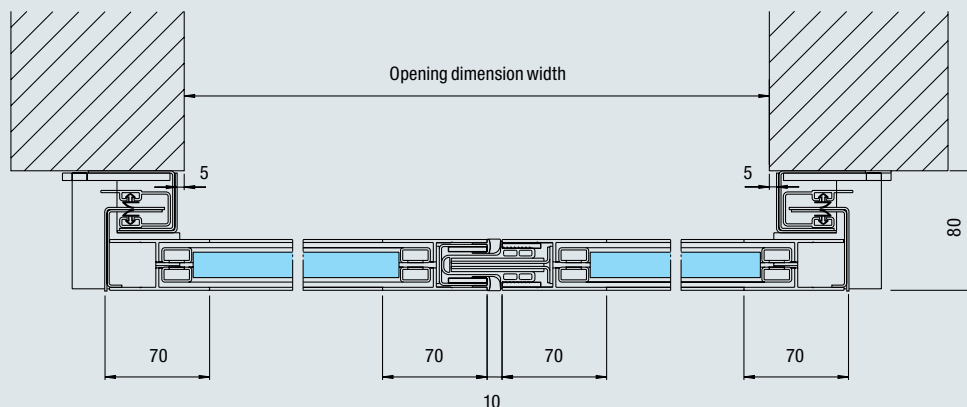
ASW-1, ASW-2, ASV-1, ASV-2

Single and double-leaf doors

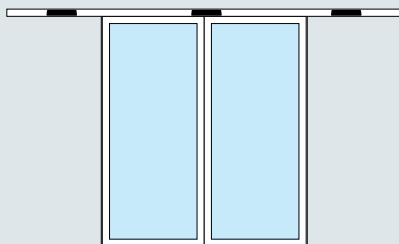
ASV -1 Fitting in the opening



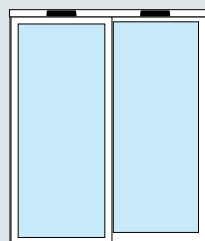
ASW-2 Fitting in front of the wall



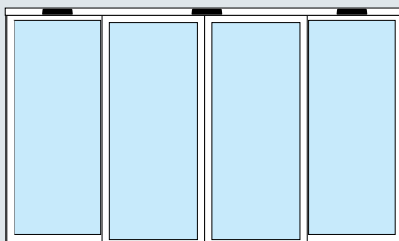
ASW single-leaf
Fitting in front of the wall



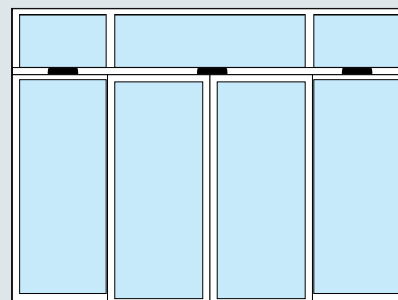
ASW double-leaf
Fitting in front of the wall



ASV single-leaf
with side element
Fitting in the opening



ASV double-leaf with side elements
Fitting in the opening

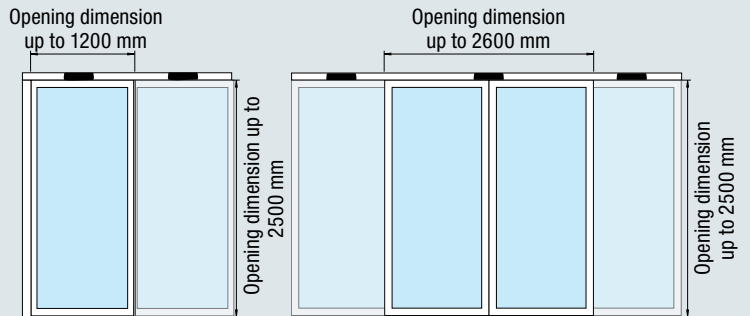


ASV double-leaf with side elements
and transom light
Fitting in the opening

Main functions**T30****Fire-retarding****RS****Smoke-tight**

ASW-1 / ASV-1

ASW-2 / ASV-2



	ASW-1 / ASV-1	ASW-2 / ASV-2
Version	Single-leaf door	Double-leaf door
Profile system	Aluminium	Aluminium
Viewed width	70	70
Depth	80	80
Bottom section height	150 / 82	150 / 82
Fitting in		
Brickwork	≥ 115	≥ 115
Concrete	≥ 100	≥ 100
Gas concrete	≥ 150	≥ 150
Partition wall	≥ 100	≥ 100

Wall requirements based on size can be found in the fitting instructions at www.hoermann.com

Size range	ASW-1 / ASV-1		ASW-2 / ASV-2	
	Width	Height	Width	Height
Opening dimension				
Bottom section height 82 mm	900 – 1200	1800 – 2500	1300 – 2500	1800 – 2500
			1270	
Bottom section height 150 mm	900 – 1200	1800 – 2500	1300 – 2600	1800 – 2500
	1190		1270	

Clear passage	Width	Height
ASW-1	= Opening dimension – 10	= Opening dimension
ASW-2	= Opening dimension – 30	= Opening dimension
ASV-1	= Opening dimension – 10	= Opening dimension – 150 – gap
ASV-2	= Opening dimension – 30	= Opening dimension – 150 – gap

Aluminium fire and smoke protection elements

System overview



T30

Fire-retarding
HE 311
HE 321

F30

Fire-retarding
HE 331
HE 331 SW

T60

High fire resistance
HE 611
HE 621

F60

High fire resistance
HE 631

T90

Fire-proof
HE 911
HE 921

F90

Fire-proof
HE 931

RS

Smoke-tight
A / RS 100 / 150
A / RS 200 / 250
A / RS 300 / 350

dB

Acoustic-rated

WK 2

Break-in-resistant
HE 311
HE 321
A / RS 100
A / RS 200

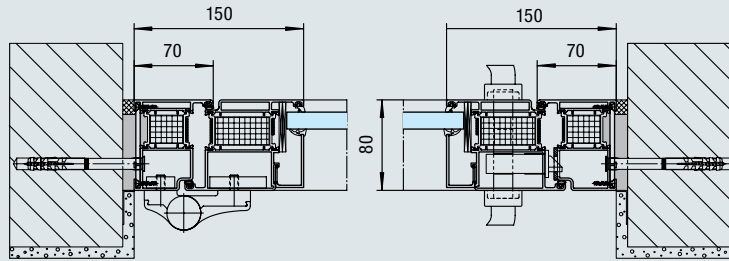


External door
(In approval process)
HE 311
HE 321

TRAV

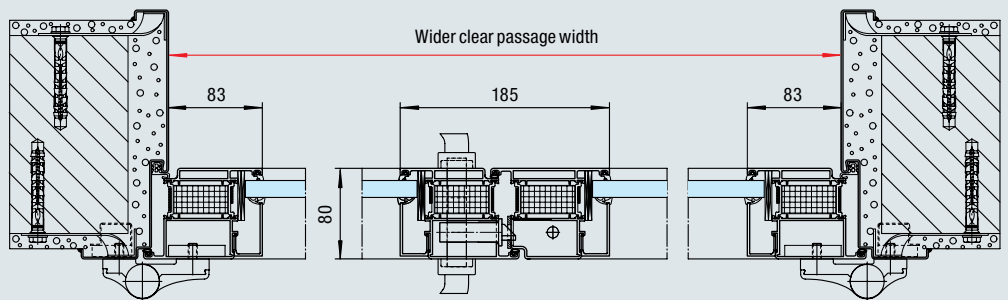
Anti-fall safeguard glazing
A / RS 300
A / RS 350

Single-leaf door with fascia frame



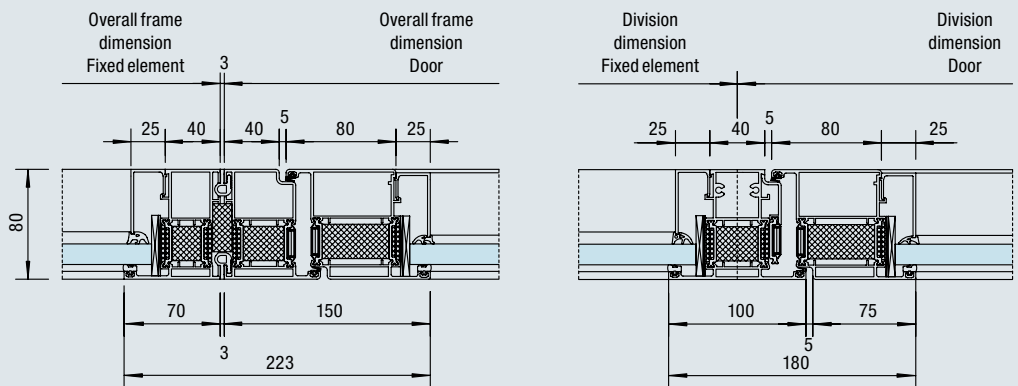
View T30 aluminium

Double-leaf door with steel frame



View T30 aluminium

Fixed glazing



Door / fixed element coupled

View T30 aluminium

Door / fixed element vertical profile construction

All dimensions in mm

Aluminium fire and smoke protection elements

Features

1 Uniform colour scheme

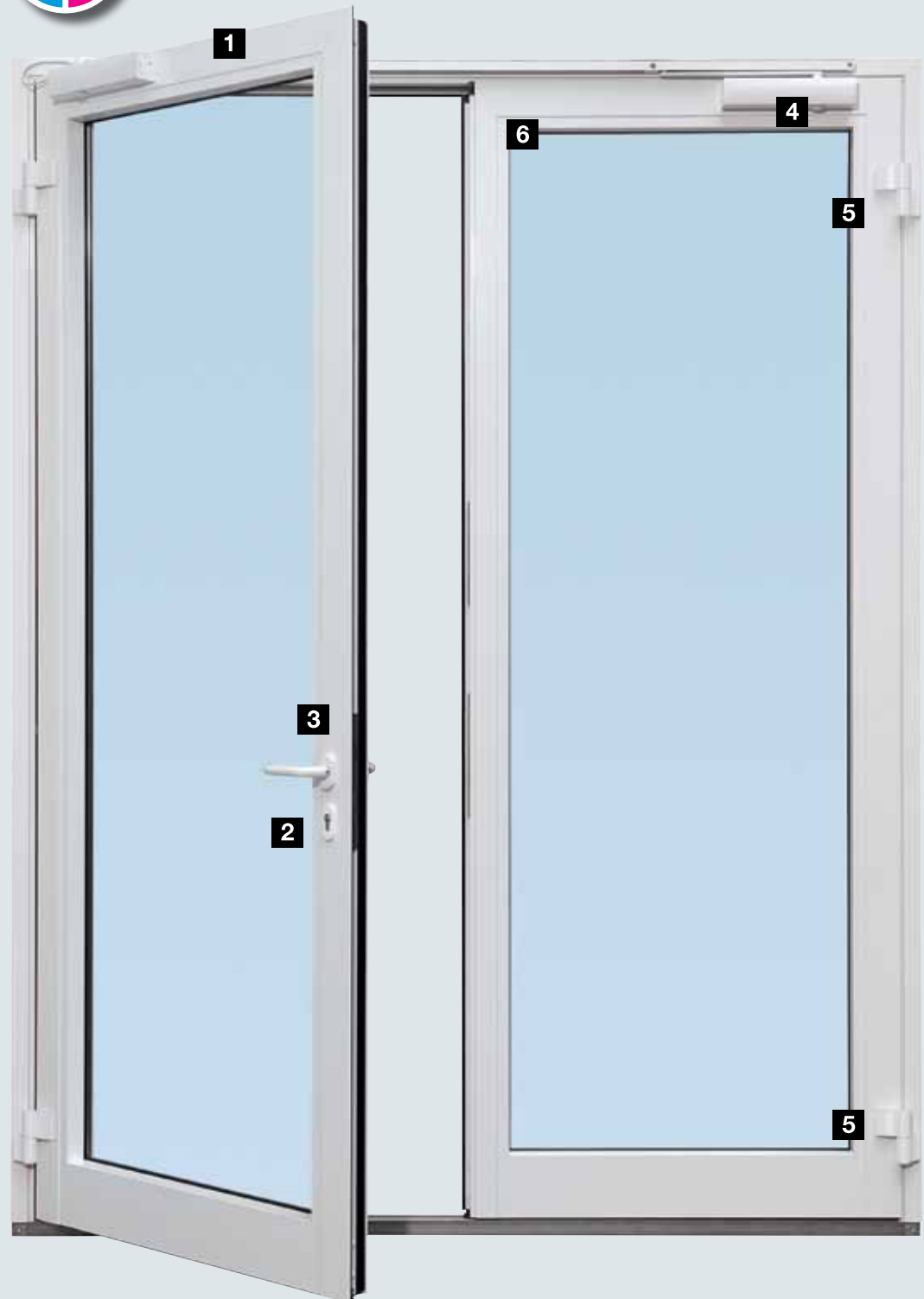
Hörmann offers you doors, frames, fittings, hinges and closing devices in a uniform colour scheme. This allows the door to fit harmoniously into the room concept. As standard, we offer the steel fire and smoke protection elements with a powder-coated primer in Traffic white (RAL 9016). Optionally, the elements are available in natural finish aluminium EV 1, bronze and all RAL colours.

2 Lock

As standard, all Hörmann fire-rated and smoke-tight doors are equipped with a latch catch lock. Doors with resistance class 2 are equipped with a triple lock. The fixed leaf is secured by a rebate espagnolette lock. Optionally, we offer anti-panic locks, also self-locking.

3 Lever handle set

As standard, we offer all door sets with an offset aluminium lever/lever handle set with a steel core including a cylinder rose escutcheon. Break-in-resistant doors are additionally equipped with a protective fitting. Optionally, you can also choose lever handles and lever/knob handle sets as well as aluminium and stainless steel anti-panic bars.



4 Closing devices

As standard, all fire-rated and smoke-tight doors are equipped according to DIN EN 1154 with a slide rail overhead door closer on the hinge side, with an integrated door leaf selector for double-leaf doors. Integrated overhead door closers are also available for a particularly harmonious look of the door.



Slide rail overhead door closer

5 Hinges

The standard 3D hinge for fire-rated and smoke-tight doors is three-way adjustable, either with a pivot point of 20 or 36 mm. This aluminium hinge is available anodised, powder-coated in all colours or with a stainless steel finish.

The elegant and also precisely adjustable guide roller (pivot point 16 mm) is available as an alternative to the 3-way adjustable hinge. It is available in painted steel matching the door surface finish or in polished stainless steel.

The 3-part 3-way adjustable hinges of T90 fire-rated doors (pivot point 20 or 36 mm) can be optimally aligned and are available in the door surface finish. For a matching look, we also offer you T30 and RS doors with these hinges.



2-part 3-way adjustable hinge as standard



Guide roller



3-way adjustable hinge, 3-part (T90)

6 Glazing beads

Glazing beads are not only a functional but also a style element for the overall look of a door. As standard we offer the doors with rectangular glazing beads.

If required, we offer the doors with rounded Softline glazing beads in which the precise mitre of frame and leaf is continued along a single line.



Rectangular glazing beads as standard



Softline glazing beads

Office towers, Hamburg
Architect: BRT Architekten LLP, Hamburg



Hörmann products

- T30 aluminium fire-rated doors
HE 311
- T30 aluminium smoke-tight doors
A / RS 150



T30 / F30 aluminium fire and smoke protection elements

HE 311, HE 321, HE 331

Single and double-leaf doors, fixed glazing

T30

Main functions

Fire-retarding

HE 311
HE 321

F30

Fire-retarding

HE 331

RS

Smoke-tight

dB

Acoustic-rated

Acoustic values
from 35 – 40 dB
– 43 dB (HE 331)

WK 2

Break-in-resistant

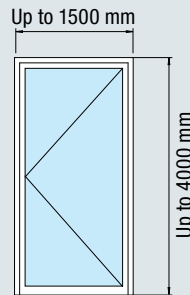
HE 311
Up to 1500 × 2750 mm
HE 321
Up to 2750 × 2750 mm



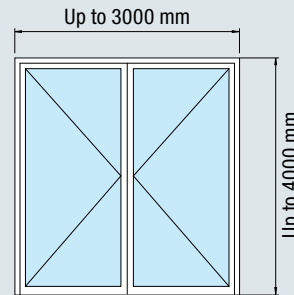
External door

(In approval process)
HE 311
HE 321

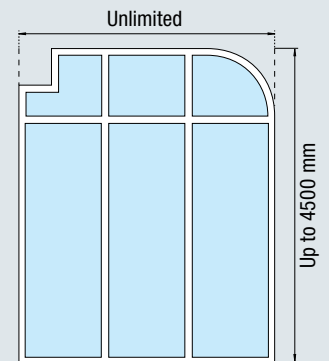
HE 311



HE 321



HE 331



	HE 311	HE 321	HE 331
Version	Single-leaf door	Double-leaf door	Fixed glazing
Profile system	Aluminium	Aluminium	Aluminium
Viewed frame width	70	70	70
Depth	80	80	80
Bottom section height	105 / 150	105 / 150	105 / 150
Fitting in			
Brickwork	≥ 115	≥ 115	≥ 115
Concrete	≥ 100	≥ 100	≥ 100
Gas concrete	≥ 150	≥ 150	≥ 150
Partition wall	≥ 100	≥ 100	≥ 100

Wall requirements based on size can be found in the fitting instructions at www.hoermann.com

Size range	HE 311		HE 321	
	Width	Height	Width	Height
With fascia frame				
Overall frame dimension (ordering size)	605 – 1500	1740 – 4000	1355 – 3000	1740 – 4000
Clear passage	391 – 1286	1670 – 3930	1067 – 2712	1670 – 3930
With steel frame				
Nominal size (ordering size)	535 – 1430	1705 – 2965	1285 – 2930	1705 – 2965
Clear passage	414 – 1309	391 – 2933	1107 – 2752	1673 – 2933
Traffic leaf division			750 – 1500	
Fixed leaf division			500 – 1500	

Size range	HE 331	
	Width	Height
With fascia frame		
Overall frame dimension (ordering size)	Unlimited	4500 / 4000*
Maximum door height*		3000

* For combination of door (HE 311, HE 321) and fixed glazing (HE 331)

Clear passage Page 30

Fixed glazings

Design variations Page 31

All dimensions in mm

23

“Sign” Harbour Office, Düsseldorf
Architect: Murphy / Jahn, Chicago – Berlin



Hörmann products

- T30 aluminium fire-rated and smoke-tight doors HE 311/331
- T90 aluminium fire-rated and smoke-tight doors HE 921
- F90 fire-resistant glazing HE 931
- T30 steel fire-rated doors STS
- T30 steel fire-rated doors H3D
- T90 steel fire-rated doors H16
- Industrial rolling grille



T60 / F60 aluminium fire and smoke protection elements

HE 611, HE 621, HE 631

Single and double-leaf doors, fixed glazing

T60

Main functions

High fire resistance

HE 611

HE 621

F60

High fire resistance

HE 631

RS

Smoke-tight

dB

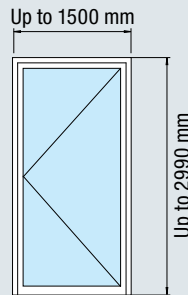
Acoustic-rated

Acoustic values

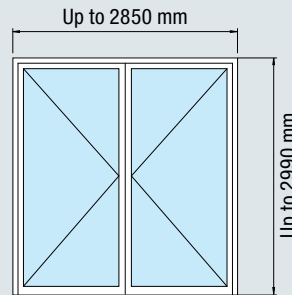
from 39 – 40 dB

– 44 dB (HE 631)

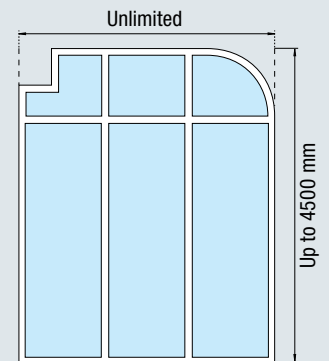
HE 611



HE 621



HE 631



	HE 611	HE 621	HE 631
Version	Single-leaf door	Double-leaf door	Fixed glazing
Profile system	Aluminium	Aluminium	Aluminium
Viewed width	70	70	70
Depth	80	80	80
Bottom section height	150	150	150
Fitting in			
Brickwork	≥ 175	≥ 175	≥ 175
Concrete	≥ 140	≥ 140	≥ 140
Gas concrete	≥ 200	≥ 200	≥ 200
Partition wall	≥ 100	≥ 100	≥ 100

Wall requirements based on size can be found in the fitting instructions at www.hoermann.com

Size range	HE 611		HE 621	
	Width	Height	Width	Height
With fascia frame				
Overall frame dimension (ordering size)	605 – 1500	1740 – 2990	1355 – 2850	1740 – 2990
Clear passage	391 – 1286	1720 – 2780	1167 – 2562	1720 – 2780
Traffic leaf division			500 – 1425	
Fixed leaf division			500 – 1425	

Size range	HE 631	
	Width	Height
Overall frame dimension (ordering size)	Unlimited	4500 / 4000*
Maximum door height*		2800

* For combination of door (HE 611, HE 621) and fixed glazing (HE 631)

Clear passage Page 30

Fixed glazings
Design variations Page 31

All dimensions in mm

25

Aufbau Haus in Berlin

Architects: Clarke und Kuhn, freie Architekten BDA, Berlin

Thinkbuild architecture, Jason Danzinger, Berlin



Hörmann products

- T30 aluminium fire-rated doors HE 311 and HE 321
- T30 steel fire-rated doors H3
- Industrial rolling grille Classic HG-A

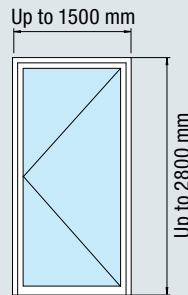
T90 / F90 aluminium fire and smoke protection elements

HE 911, HE 921, HE 931

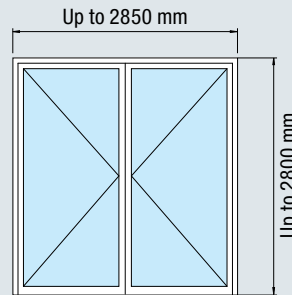
Single and double-leaf doors, fixed glazing

	Main functions
T90	Fire-proof HE 911 HE 921
F90	Fire-proof HE 931
RS	Smoke-tight
dB	Acoustic-rated Acoustic values from 39 – 40 dB – 44 dB (HE 931)

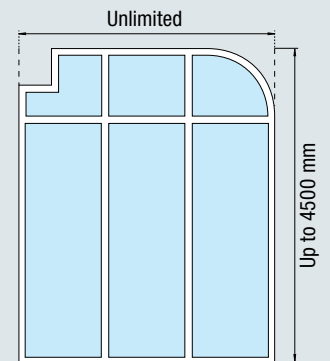
HE 911



HE 921



HE 931



	HE 911	HE 921	HE 931
Version	Single-leaf door	Double-leaf door	Fixed glazing
Profile system	Aluminium	Aluminium	Aluminium
Viewed frame width	70	70	70
Depth	80	80	80
Bottom section height	150	150	70 / 150
Fitting in			
Brickwork	≥ 240	≥ 240	≥ 240
Concrete	≥ 140	≥ 140	≥ 140
Gas concrete	≥ 240	≥ 240	≥ 240
Partition wall	≥ 100	≥ 100	≥ 100

Wall requirements based on size can be found in the fitting instructions at www.hoermann.com

Size range	HE 911		HE 921	
	Width	Height	Width	Height
With fascia frame				
Overall frame dimension (ordering size)	605 – 1500	1740 – 2800	1355 – 2850	1740 – 2800
Clear passage	391 – 1286	1720 – 2730	1167 – 2562	1720 – 2730

Size range	HE 931	
	Width	Height
Overall frame dimension (ordering size)	Unlimited	4500 / 4000*
Maximum door height*		2800

* For combination of door (HE 911, HE 921) and fixed glazing (HE 931)

Clear passage	Page 30
Fixed glazings	
Design variations	Page 31

All dimensions in mm

27

Aluminium smoke protection elements

A / RS 150, A / RS 250, A / RS 350

Single and double-leaf doors, fixed glazing

RS

Main functions

Smoke-tight

dB

Acoustic-rated

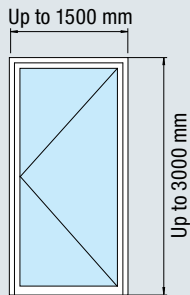
Acoustic values from 31 – 32 dB

TRAV

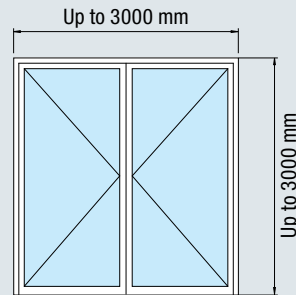
Anti-fall safeguard glazing

A / RS 350

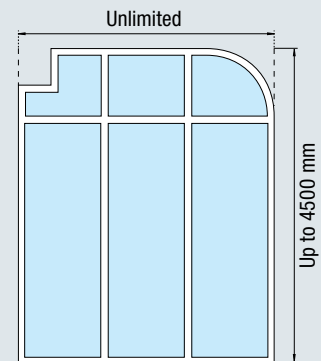
A / RS 150



A / RS 250



A / RS 350



	A / RS 150	A / RS 250	A / RS 350
Version	Single-leaf door	Double-leaf door	Fixed glazing
Profile system	Aluminium	Aluminium	Aluminium
Viewed frame width	70	70	70
Depth	50	50	50
Bottom section height	105 / 150	105 / 150	105 / 150
Fitting in			
Brickwork	≥ 115	≥ 115	≥ 115
Concrete	≥ 100	≥ 100	≥ 100
Gas concrete	≥ 150	≥ 150	≥ 150
Partition wall	≥ 100	≥ 100	≥ 100

Wall requirements based on size can be found in the fitting instructions at www.hoermann.com

	A / RS 150		A / RS 250	
	Width	Height	Width	Height
Size range				
With fascia frame				
Overall frame dimension (ordering size)	605 – 1500	1740 – 3000	1355 – 3000	1740 – 3000
Clear passage	421 – 1316	1670 – 2730	1215 – 2860	1670 – 2730
With steel frame				
Nominal size (ordering size)	535 – 1430	1635 – 2965	1285 – 2930	1635 – 2965
Clear passage	424 – 1319	1603 – 2933	1127 – 2777	1603 – 2933
Traffic leaf division			548 – 1500	
Fixed leaf division			548 – 1500	

	A / RS 350	
Size range	Width	Height
Overall frame dimension (ordering size)	Unlimited	Unlimited
Maximum door height*		3000
TRAV		
Max. element size	Unlimited	4500
Min. pane size	800	1000
Max. pane size	Depending on glass type according to table 2 TRAV	

* For combination of door (A / RS 150, A / RS 250) and fixed glazing (A / RS 350)

Clear passage Page 30

Fixed glazings

Design variations Page 31

Aluminium smoke protection elements, insulated

A / RS 100, A / RS 200, A / RS 300

Single and double-leaf doors, fixed glazing

RS

Main functions

Smoke-tight

dB

Acoustic-rated

Acoustic values 34 dB

WK 2

Break-in-resistant

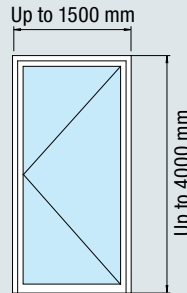
A / RS 100
Up to 1500 × 2750 mm
A / RS 200
Up to 2750 × 2750 mm

TRAV

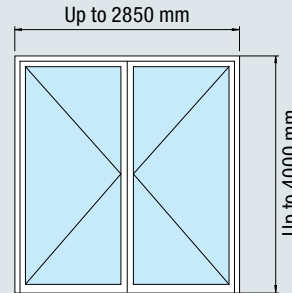
Anti-fall safeguard glazing

A / RS 300

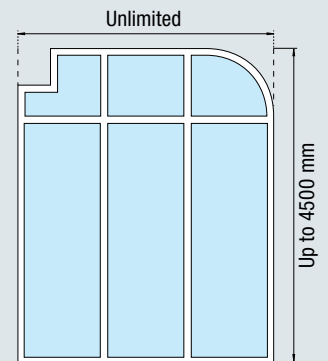
A / RS 100



A / RS 200



A / RS 300



	A / RS 100	A / RS 200	A / RS 300
Version	Single-leaf door	Double-leaf door	Fixed glazing
Profile system	Aluminium	Aluminium	Aluminium
Viewed width	70	70	70
Depth	80	80	80
Bottom section height	70 / 150	70 / 150	70 / 150
Fitting in			
Brickwork	≥ 115	≥ 115	≥ 115
Concrete	≥ 100	≥ 100	≥ 100
Gas concrete	≥ 150	≥ 150	≥ 150
Partition wall	≥ 100	≥ 100	≥ 100

Wall requirements based on size can be found in the fitting instructions at www.hoermann.com

Size range	A / RS 100		A / RS 200	
	Width	Height	Width	Height
With fascia frame				
Overall frame dimension (ordering size)	605 – 1500	1740 – 4000	1355 – 3000	1740 – 4000
Clear passage	391 – 1286	1670 – 3930		
With steel frame				
Nominal size (ordering size)	535 – 1430	1705 – 2965*	1285 – 2930	1750 – 2965*
Clear passage	424 – 1319	1673 – 3933	1127 – 2777	1673 – 3933
Traffic leaf division			500 – 1500	
Fixed leaf division			500 – 1500	

* With transom light 3500

Size range	A / RS 300	
	Width	Height
Overall frame dimension (ordering size)	Unlimited	Unlimited
Maximum door height**		3000
TRAV		
Max. element size	Unlimited	4500
Min. pane size	800	1000
Max. pane size	Depending on glass type according to table 2 TRAV	

** For combination of door (A / RS 100, A / RS 200) and fixed glazing (A / RS 300)

Clear passage Page 30

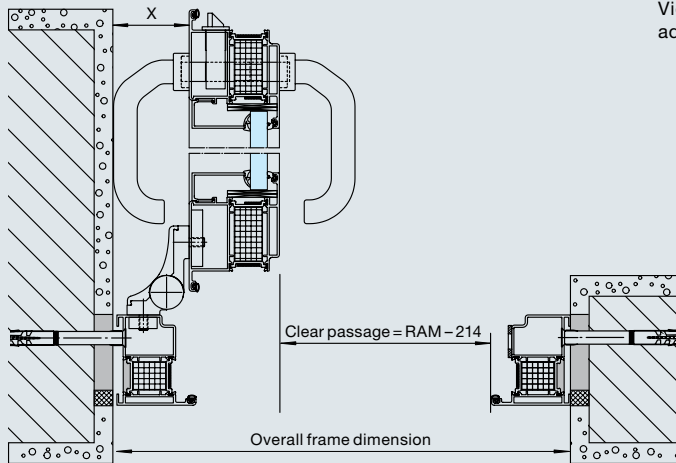
Fixed glazings

Design variations Page 31

Clear passage

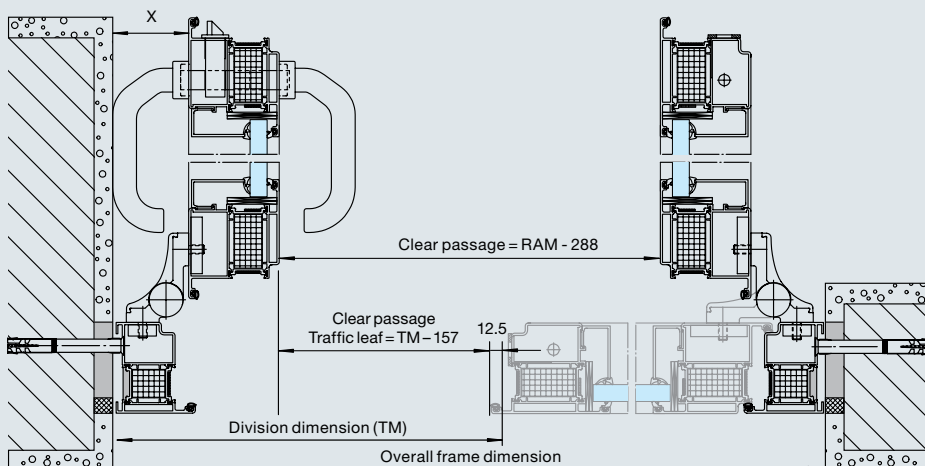
With door leaf opened by 90° and without fittings

Single-leaf door



View of T30 aluminium fire-rated door, single-leaf with 3-way adjustable hinge with 20 mm pivot point

Double-leaf door



View of T30 aluminium fire-rated door, double-leaf with 3-way adjustable hinge with 20 mm pivot point

Hinge system	Single-leaf door		Double-leaf door, overall		Double-leaf door, traffic leaf		Distance leaf / wall (x)
Door type	A / RS 150	HE 311 HE 611 HE 911 A / RS 100	A / RS 250	HE 321 HE 621 HE 921 A / RS 200	A / RS 250	HE 321 HE 621 HE 921 A / RS 200	
Depth	50	80	50	80	50	80	
3-way adjustable hinge, pivot point 20 mm	RAM - 184	RAM - 214	RAM - 228	RAM - 288	Division dimension - 127	Division dimension - 157	64
3-way adjustable hinge, pivot point 36 mm	RAM - 200	RAM - 230	RAM - 260	RAM - 320	Division dimension - 143	Division dimension - 173	80
Guide roller*, pivot point 16 mm	RAM - 179	RAM - 209	RAM - 218	RAM - 278	Division dimension - 117	Division dimension - 152	52

All dimensions refer to element assemblies

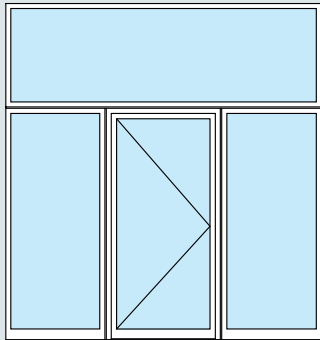
* Only for HE 611, HE 621, HE 911, HE 921

Fixed glazings

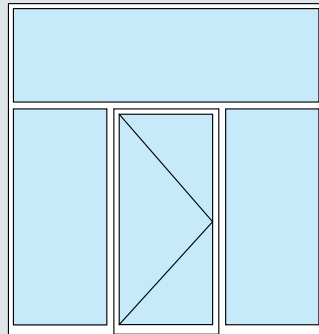
Design variations

Hörmann aluminium fire-rated doors are available either as a coupling construction for simple connection on location, or as complete elements with a vertical/horizontal profile construction. Thus they can be easily matched to the fitting situation at the construction site.

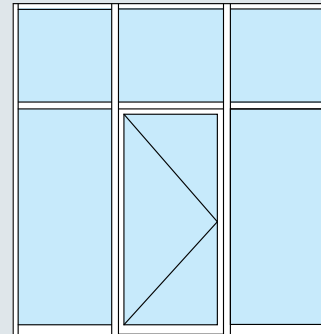
With the Hörmann plug-in system, the slim vertical/horizontal profile construction can also be assembled into walls of any size.



Coupling construction

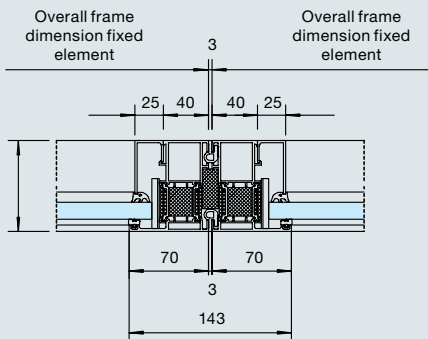


Vertical / horizontal profile construction as a complete element

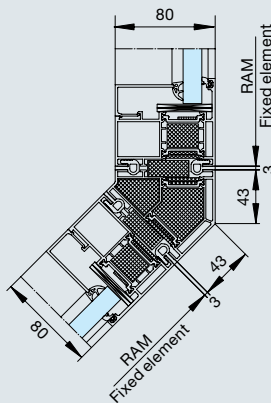


Vertical / horizontal profile construction as a plug-in system

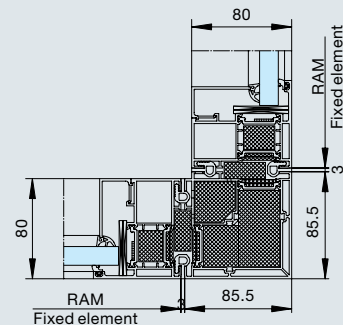
Coupling construction variants



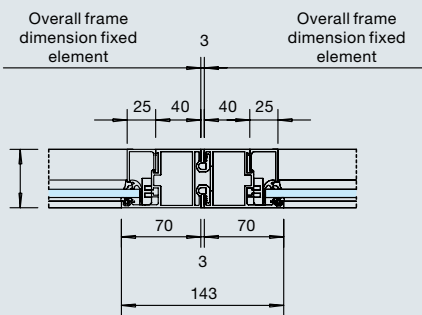
Aluminium F30 coupling 180°



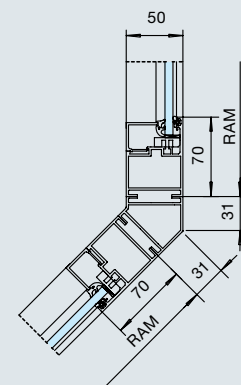
Aluminium F30 coupling 135°



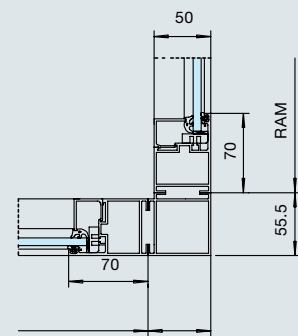
Aluminium F30 coupling 90°



Aluminium RS-3 coupling 180°



Aluminium RS-3 coupling 135°



Aluminium RS-3 coupling 90°

All dimensions in mm

Hafencity, Hamburg

Hörmann projects in one of Europe's largest urban development areas



Projects with Hörmann products

incl. Dalmann-Carrée, Kühne + Nagel, Coffee Plaza, Marco-Polo-Tower, 25h Hotel, Unilever building, Oval am Kaiserkai



Hörmann products

- T30 aluminium fire-rated doors HE 311
- T90 aluminium fire-rated doors HE 911
- Aluminium smoke-tight doors A / RS 150
- T30 steel fire-rated doors H3
- T90 steel fire-rated doors H16
- T30 steel fire-rated doors STS



Spiegel building

Architect: Henning Larsen Architects, Copenhagen, DK





CC01 Commercial Center
Architect: Baumschlager Eberle Ziviltechniker GmbH, Lochau, AT



Hörmann products

- T30 aluminium fire protection elements HE 311, HE 321, HE 331
- Aluminium smoke-tight doors A / RS 150, A / RS 250
- T30 steel fire-rated doors HL 310 S, HL 320 S
- T90 aluminium fire-rated doors HE 911, HE 921
- F90 aluminium fire protection elements HE 931



Elbphilharmonie under construction
Architect: © Herzog & de Meuron, Basel (Switzerland)



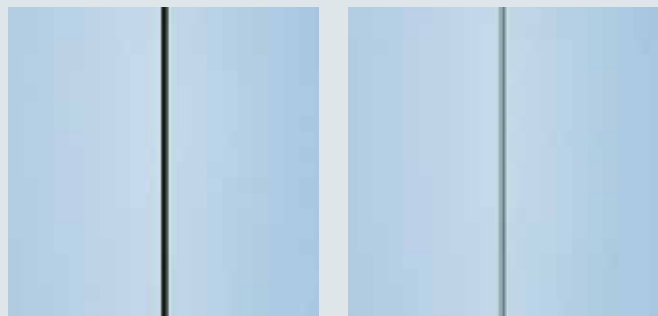
F30 steel system wall

Matching the S-Line and N-Line steel fire-rated and smoke-tight doors



Discreet glazing joint

The individual glass panes are jointed by silicone (joint width 5 mm). Available in black as standard and on request in transparent.

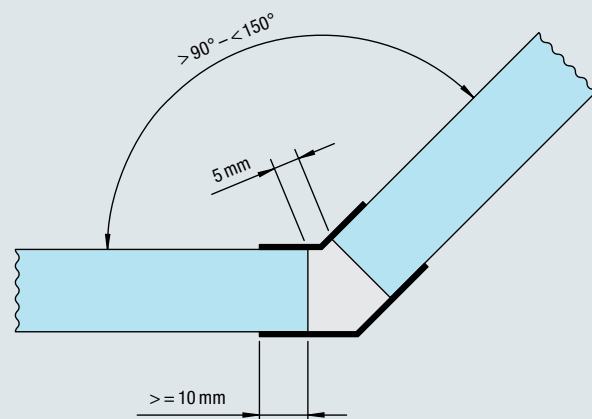


Black silicone joint

Transparent silicone joint

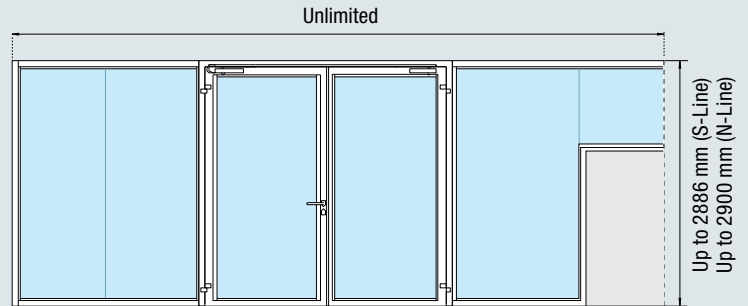
Corner connector

In corner areas with any angle, this system glazing does not require corner posts. The joint with fire-rated silicone is elegantly concealed on the inside and the outside by a glued-on slim metal angle profile only. A technically and visually appealing solution.



Main functions**F30****Fire-retarding****RS****Smoke-tight**

HL 330 S / SW, HL 330 SW



	HL 330 S / SW	HL 330 SW
Version	Double-leaf door	Double-leaf door
Profile system	Steel S-Line	Steel N-Line
Viewed width	134	168
Depth	60	60
Bottom section height	70 / 81	84 / 150
Fitting in		
Brickwork	≥ 115	≥ 115
Concrete	≥ 100	≥ 100
Gas concrete	≥ 150	≥ 150
Partition wall	≥ 100	≥ 100

Wall requirements based on size can be found in the fitting instructions at www.hoermann.com

	HL 330 S / SW S-Line		HL 330 SW N-Line	
	Width	Height	Width	Height
With fascia frame				
Overall frame dimension (ordering size)	Unlimited	2886	Unlimited	2900
Maximum door height		2886		2900

All dimensions in mm

35

Steel fire and smoke protection elements

System overview



Particularly slim profile view with S-Line steel

Steel S-Line

T30 Fire-retarding
HL 310 S
HL 320 S

F30 Fire-retarding
HL 330 S

G30 Fire-retarding
G 300 S

RS Smoke-tight
S / RS 100 S
S / RS 200 S
S / RS 300 S

dB Acoustic-rated

RC 2 Break-in-resistant

Steel N-Line

T30 Fire-retarding
HL 310
HL 320

F30 Fire-retarding
HL 330

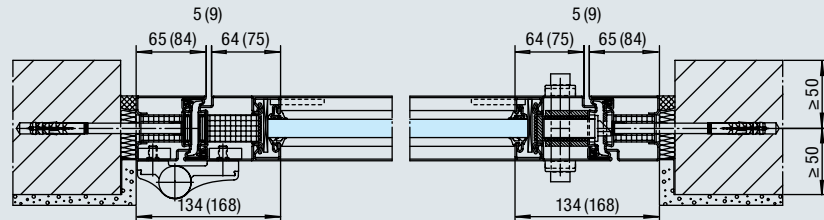
G30 Fire-retarding
G 300

RS Smoke-tight
S / RS 100
S / RS 200
S / RS 300

dB Acoustic-rated

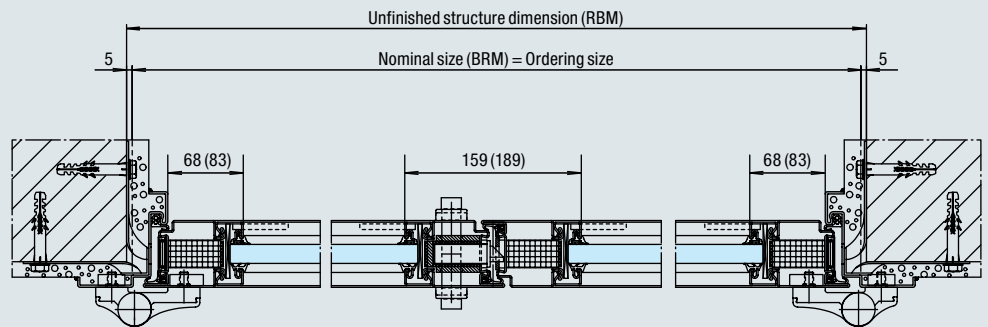
RC 2 Break-in-resistant

Single-leaf S-Line steel door with fascia frame



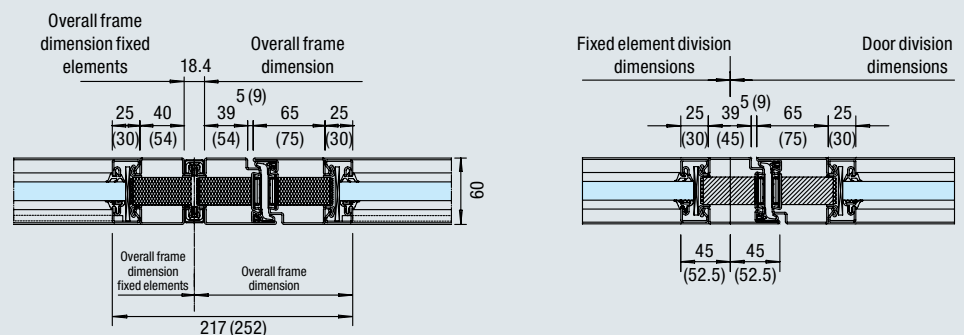
View T30 steel S-Line, in brackets N-Line dimensions

Double-leaf S-Line steel door with steel frame



View T30 steel S-Line, in brackets N-Line dimensions

Fixed glazing steel S-Line



Door / fixed element coupled

View T30 steel S-Line, in brackets N-Line dimensions

Door / fixed element vertical profile construction

Steel fire and smoke protection elements

Features

1 Uniform colour scheme

Hörmann offers you doors, frames, fittings, hinges and closing devices in a uniform colour scheme. This allows the door to fit harmoniously into the room concept. As standard, we offer the steel fire and smoke protection elements galvanized, with a powder-coated primer in Traffic white (similar to RAL 9016). Optionally, the elements are available galvanized primed, in bronze and all RAL colours.

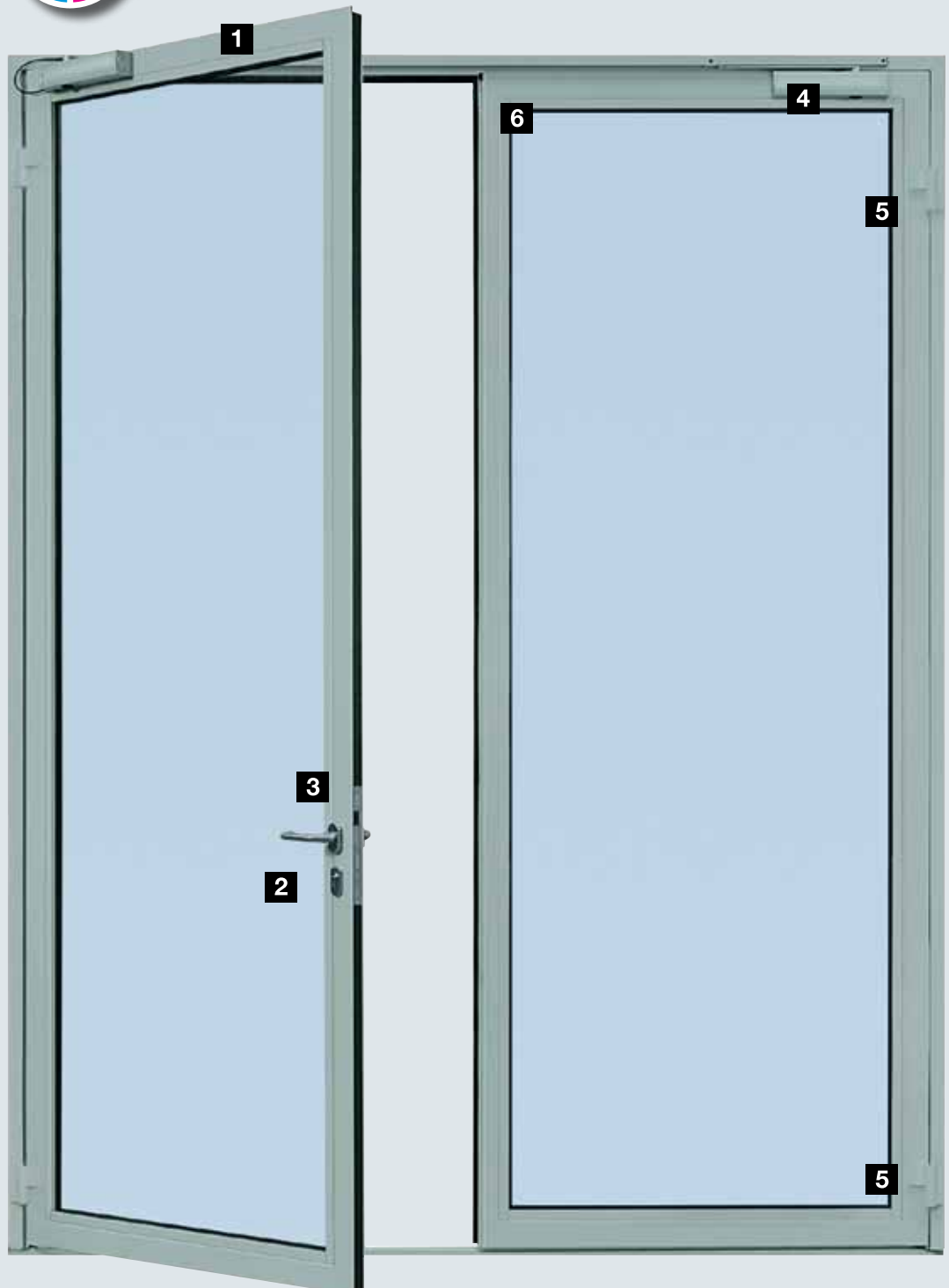


2 Lock

As standard, all Hörmann fire-rated and smoke-tight doors are equipped with a latch catch lock. The fixed leaf is secured by a rebate espagnolette lock. Optionally, we offer anti-panic locks, also self-locking.

3 Lever handle set

As standard, we offer all door sets with an offset aluminium lever/lever handle set with a steel core including a cylinder rose escutcheon. Optionally, you can also choose lever handles and lever / knob handle sets as well as aluminium and stainless steel anti-panic bars.



4 Closing devices

As standard, all fire-rated and smoke-tight doors are equipped according to DIN EN 1154 with a slide rail overhead door closer on the hinge side, with an integrated door leaf selector for double-leaf doors. Integrated overhead door closers are also available for a particularly harmonious look of the door.



Slide rail overhead door closer

5 Hinges



The standard 3D hinge for T30 and RS doors is three-way adjustable, either with a pivot point of 20 or 36 mm. This aluminium hinge is available anodised, powder-coated in all colours or with a stainless steel finish.



For the slim S-Line profiles alternatively the slim steel guide roller is also available as a version for welding or screwing on (pivot point 12 mm). It highlights the vertical line and is available with the same surface as the door or in stainless steel.



The concealed hinges are integrated in the fascia frame and door leaf. This is coupled with an integrated closing system and thus the all-round profile is not interrupted by a surface-mounted element.

6 Glazing beads



As standard, the doors are equipped all-round and on both sides of the door with rectangular steel glazing beads. This detail gives the door an elegant overall appearance.



For an exclusive industrial look you can also choose screwed angle glazing beads for both sides of the door.



We also offer a screwed angle glazing bead with edge recess, which is fitted on both sides of the door, giving the door a delicate filigree touch.

T30 steel fire and smoke protection elements S-Line

HL 310 S, HL 320 S

Single and double-leaf doors

Main functions

T30

Fire-retarding

RS

Smoke-tight

dB

Acoustic-rated

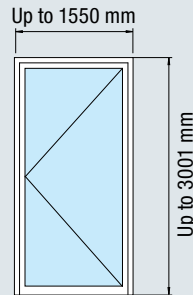
Acoustic values from
34 – 42 dB

RC 2

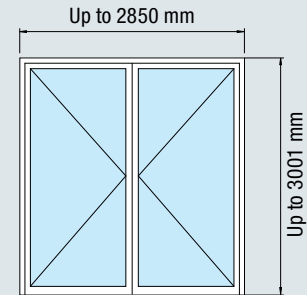
Break-in-resistant

HL 310 S
Up to 1500 x 2800 mm
HL 320 S
Up to 1500 x 2800 mm

HL 310 S



HL 320 S



HL 310 S

HL 320 S

	HL 310 S	HL 320 S
Version	Single-leaf door	Double-leaf door
Profile system	Steel S-Line	Steel S-Line
Viewed width	134	134
Depth	60	60
Bottom section height	76	76
Fitting in		
Brickwork	≥ 115	≥ 115
Concrete	≥ 100	≥ 100
Gas concrete	≥ 150	≥ 150
Partition wall	≥ 100	≥ 100

Wall requirements based on size can be found in the fitting instructions at www.hoermann.com

Size range	HL 310 S		HL 320 S	
	Width	Height	Width	Height
With fascia frame				
Overall frame dimension (ordering size)	567 – 1550	1721 – 3001	1317 – 2852	1721 – 3001
Clear passage	387 – 1370	1656 – 2936	1087 – 2622	1656 – 2936
With steel frame				
Nominal size (ordering size)	499 – 1485	1687 – 2278	1244 – 2844	1687 – 2278
Clear passage	385 – 1371	1655 – 2246	1085 – 2680	1655 – 2246
Traffic leaf division			500 – 1425	
Fixed leaf division			500 – 1425	

Clear passage Page 48

Fixed glazings Page 49
Design variations

F30 steel fire and smoke protection elements S-Line

HL 330 S, G 300 S

Fixed glazings

F30
Main functions
Fire-retarding

HL 330 S

G30
Fire-retarding

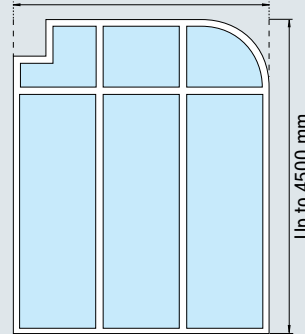
G 300 S

RS
Smoke-tight
dB
Acoustic-rated

 Acoustic values
 43 dB (HL 330 S)
 31 dB (G 300 S)

HL 330 S

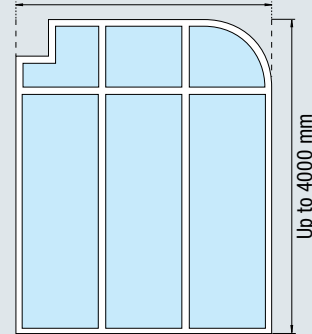
Unlimited



Up to 4500 mm

G 300 S

Unlimited



Up to 4000 mm

HL 330 S
Version

Fixed glazing

Profile system

Steel S-Line

Viewed width

65

Depth

60

Bottom section height

76

G 300 S

Fixed glazing

Steel S-Line

65

60

76

Fitting in
Brickwork ≥ 115 Concrete ≥ 100 Gas concrete ≥ 150 Partition wall ≥ 100 ≥ 115 ≥ 100 ≥ 150 ≥ 100
 Wall requirements based on size can be found in the fitting instructions at www.hoermann.com

Size range	HL 330 S		G 300 S	
	Width	Height	Width	Height
With fascia frame				
Overall frame dimension (ordering size)	Unlimited	4500	Unlimited	4000
Maximum door height*		3001		Not available

* For combination of door (HL 310 S, HL 320 S) and fixed glazing (HL 330 S, G 300 S)

Drägerwerk AG, Lübeck

Architect: Goetz Hootz Castorph Architekten und Stadtplaner, Munich



Hörmann products

- T30 fire-rated and smoke-tight doors HL 310, HL 320, HL 330
- Steel smoke-tight doors S/RS 100, S/RS 200, S/RS 300
- T30 Fire-rated doors H3, H3D
- T90 Fire-rated doors H 16
- Classic rolling grille HG-S
- Steel folding doors KSM

Steel smoke protection elements S-Line

S / RS 100 S, S / RS 200 S, S / RS 300 S

Single and double-leaf doors, fixed glazing

RS

Main functions

Smoke-tight

dB

Acoustic-rated

Acoustic values from 32 – 42 dB

TRAV

Additional function

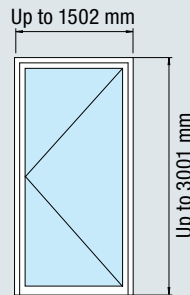
Anti-fall safeguard glazing

RC 2

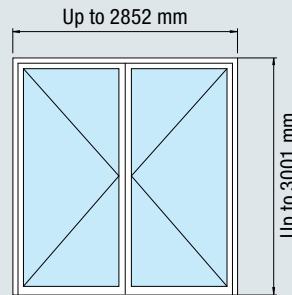
Break-in-resistant

S / RS 100 S
Up to 1500 × 2800 mm
S / RS 200 S
Up to 2850 × 2800 mm

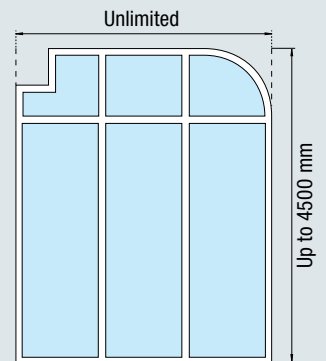
S / RS 100 S



S / RS 200 S



S / RS 300 S



	S / RS 100 S	S / RS 200 S	S / RS 300 S
Version	Single-leaf door	Double-leaf door	Fixed glazing
Profile system	Steel S-Line	Steel S-Line	Steel S-Line
Viewed width	134	134	65
Depth	60	60	60
Bottom section height	76	76	76
Fitting in			
Brickwork	≥ 115	≥ 115	≥ 115
Concrete	≥ 100	≥ 100	≥ 100
Gas concrete	≥ 100	≥ 100	≥ 100
Partition wall	≥ 100	≥ 100	≥ 100

Wall requirements based on size can be found in the fitting instructions at www.hoermann.com

Size range	S / RS 100 S		S / RS 200 S	
	Width	Height	Width	Height
With fascia frame				
Overall frame dimension (ordering size)	567 – 1502	1721 – 3001	1317 – 2852	1721 – 3001
Clear passage	387 – 1322	1656 – 2936	1087 – 2622	1656 – 2936
With steel frame				
Nominal size (ordering size)	499 – 1432	1706 – 2967	1249 – 2784	1706 – 2967
Clear passage	385 – 1318	1674 – 2935	1085 – 2620	1674 – 2935
Traffic leaf division			500 – 1425	
Fixed leaf division			500 – 1425	

Size range	S / RS 300 S	
	Width	Height
Overall frame dimension (ordering size)	Unlimited	4500
Maximum door height*		3001
TRAV		
Max. element size	Unlimited	4500
Min. pane size	800	1000
Max. pane size	Depending on glass type according to table 2 TRAV	

* For combination of door (S / RS 100 S, S / RS 200 S) and fixed glazing (S / RS 300 S)

Clear passage Page 48

Fixed glazings

Design variations Page 49

All dimensions in mm

T30 steel fire and smoke protection elements N-Line HL 310, HL 320

Single and double-leaf doors

Main functions

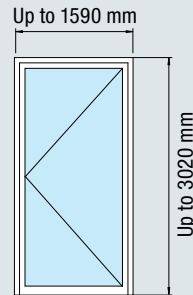
T30
Fire-retarding
RS
Smoke-tight
dB
Acoustic-rated

 Acoustic values from
34 – 42 dB

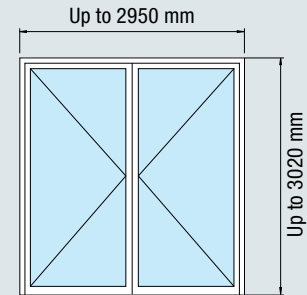
RC 2
Break-in-resistant

 HL 310
Up to 1540 x 2820 mm
HL 320
Up to 2940 x 2820 mm

HL 310



HL 320



HL 310

Version
Single-leaf door

Profile system
Steel N-Line

Viewed width
168

Depth
60

Bottom section height
84 / 150

HL 320

Version
Double-leaf door

Profile system
Steel N-Line

Viewed width
168

Depth
60

Bottom section height
84 / 150

Fitting in

	HL 310	HL 320
Brickwork	≥ 115	≥ 115
Concrete	≥ 100	≥ 100
Gas concrete	≥ 150	≥ 150
Partition wall	≥ 100	≥ 100

 Wall requirements based on size can be found in the fitting instructions at www.hoermann.com

Size range	HL 310		HL 320	
	Width	Height	Width	Height
With fascia frame				
Overall frame dimension (ordering size)	605 – 1590	1740 – 3020	1355 – 2950	1740 – 3020
Clear passage	387 – 1372	1656 – 2936	1087 – 2682	1656 – 2936
With steel frame				
Nominal size (ordering size)	499 – 1485	1687 – 2278	1249 – 2844	1687 – 2278
Clear passage	385 – 1371	1655 – 2246	1085 – 2680	1655 – 2246
Traffic leaf division			500 – 1445	
Fixed leaf division			500 – 1445	

Clear passage Page 48

 Fixed glazings Page 49
 Design variations Page 49

F30 steel fire and smoke protection elements N-Line

HL 330, G 300

Fixed glazings

F30**Main functions****Fire-retarding**

HL 330

G30**Fire-retarding**

G 300

RS**Smoke-tight****dB****Acoustic-rated**

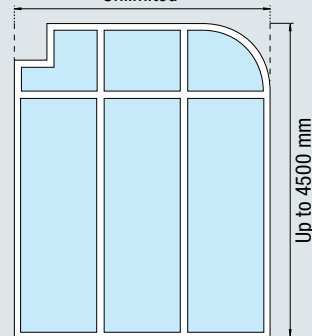
Acoustic values

43 dB (HL 330)

31 dB (G 300)

HL 330

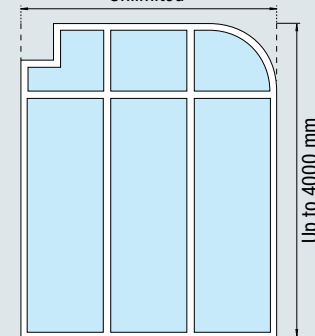
Unlimited



Up to 4500 mm

G 300

Unlimited



Up to 4000 mm

HL 330Version
Fixed glazingProfile system
Steel N-LineViewed width
84Depth
60Bottom section height
84 / 150**G 300**Version
Fixed glazingProfile system
Steel N-LineViewed width
84Depth
60Bottom section height
84 / 150**Version****Profile system****Viewed width****Depth****Bottom section height****Fitting in**

Brickwork

≥ 115

Concrete

≥ 100

Gas concrete

≥ 150

Partition wall

≥ 100

≥ 115

≥ 100

≥ 150

≥ 100

Wall requirements based on size can be found in the fitting instructions at www.hoermann.com

Size range	HL 330		G 300	
	Width	Height	Width	Height
With fascia frame				
Overall frame dimension (ordering size)	Unlimited	4500	Unlimited	4000
Maximum door height*		3020		Not available

* For combination of door (HL 310, HL 320) and fixed glazing (HL 330)

University Medical Centre Hamburg-Eppendorf
Architect: Nickl & Partner Architekten AG, Munich, Berlin



Hörmann products

- T30 steel fire-rated and smoke-tight doors HL 310 / HL 320, partial automatic operation
- T30 steel fire and smoke-tight glazing HL 330 S
- Steel smoke-tight doors S / RS 100
- Steel fire and smoke-tight glazing S / RS 300

Steel smoke protection elements N-Line S / RS 100, S / RS 200, S / RS 300

Single and double-leaf doors, fixed glazing

RS

Main functions

Smoke-tight
dB

Acoustic-rated

 Acoustic values
from 32 – 42 dB

TRAV

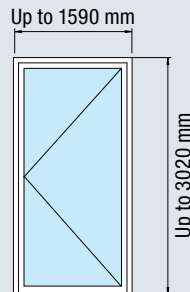
Additional function

Anti-fall safeguard glazing
RC 2

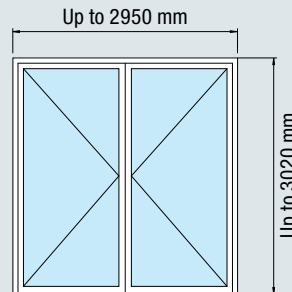
Break-in-resistant

 S / RS 100
Up to 1540 × 2820 mm
S / RS 200
Up to 2940 × 2820 mm

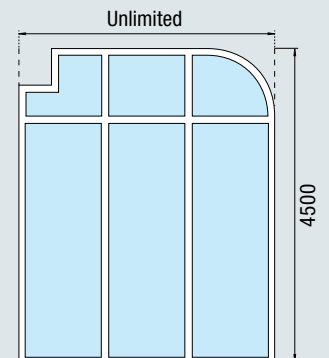
S / RS 100



S / RS 200



S / RS 300



	S / RS 100	S / RS 200	S / RS 300
Version	Single-leaf door	Double-leaf door	Fixed glazing
Profile system	Steel N-Line	Steel N-Line	Steel N-Line
Viewed width	168	168	84
Depth	60	60	60
Bottom section height	84 / 150	84 / 150	84 / 150
Fitting in			
Brickwork	≥ 115	≥ 115	≥ 115
Concrete	≥ 100	≥ 100	≥ 100
Gas concrete	≥ 150	≥ 150	≥ 150
Partition wall	≥ 100	≥ 100	≥ 100

 Wall requirements based on size can be found in the fitting instructions at www.hoermann.com

Size range	S / RS 100		S / RS 200	
	Width	Height	Width	Height
With fascia frame				
Overall frame dimension (ordering size)	605 – 1590	1740 – 3020	1355 – 2950	1740 – 3020
Clear passage	387 – 1372	1656 – 2936	1087 – 2682	1656 – 2936
With steel frame				
Nominal size (ordering size)	499 – 1432	1706 – 2967	1249 – 2784	1706 – 2967
Clear passage	385 – 1318	1674 – 2935	1085 – 2620	1674 – 2935
Traffic leaf division			500 – 1445	
Fixed leaf division			500 – 1445	

Size range	S / RS 300	
	Width	Height
Overall frame dimension (ordering size)	Unlimited	4500
Maximum door height*		3020
TRAV		
Max. element size	Unlimited	4500
Min. pane size	800	1000
Max. pane size	Depending on glass type according to table 2	

* For combination of door (S / RS 100, S / RS 200) and fixed glazing (S / RS 300)

Clear passage Page 48

Fixed glazings

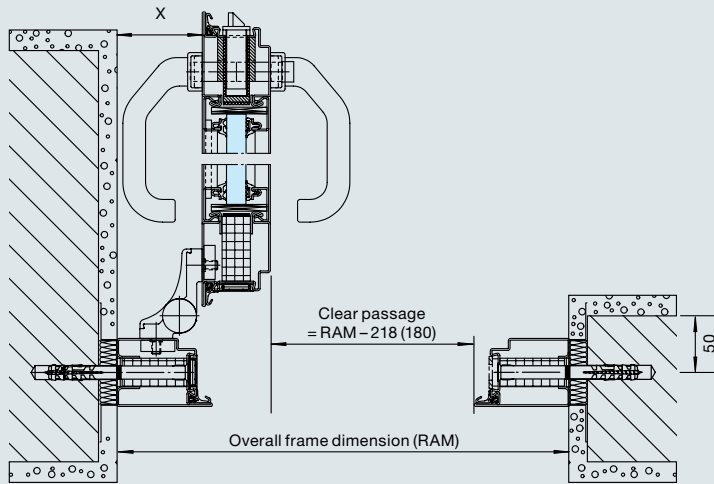
Design variations Page 49

Clear passage

With door leaf opened by 90° and without fittings

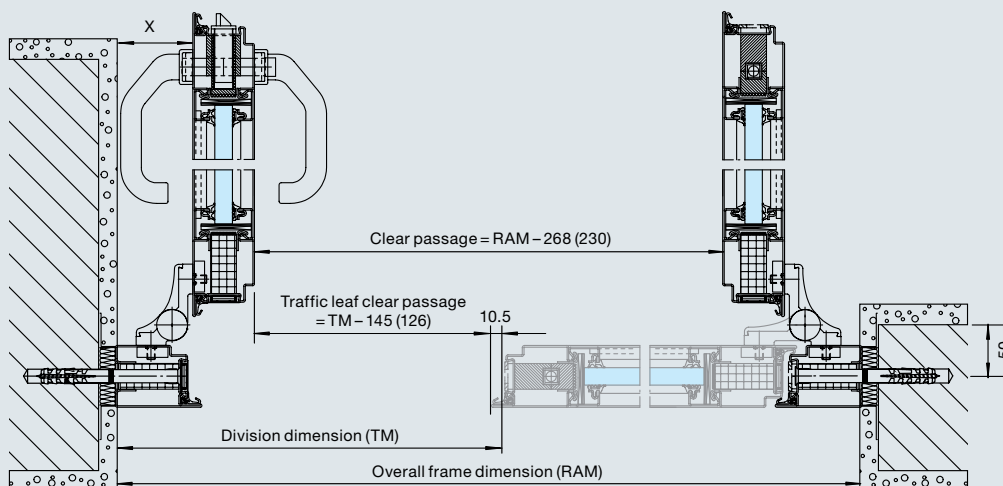
Single-leaf door

View of T30 steel fire and smoke-tight door N-Line, single-leaf with 3-way adjustable hinges with pivot point 20 mm. (S-Line)



Double-leaf door

View of T30 steel fire and smoke-tight door N-Line, double-leaf with 3-way adjustable hinges with pivot point 20 mm. (S-Line)



S-Line

Hinge system	Single-leaf door	Double-leaf door, overall	Double-leaf door, traffic leaf	Distance leaf / wall (x)
3-way adjustable hinge, pivot point 20 mm	RAM - 180	RAM - 230	Division dimension - 126	56
3-way adjustable hinge, pivot point 36 mm	RAM - 196	RAM - 262	Division dimension - 142	72
Guide roller, pivot point 12 mm	RAM - 179	RAM - 227	Division dimension - 125	54
Concealed hinge, pivot point 9.5 mm	RAM - 140	RAM - 150	Division dimension - 85	15

N-Line

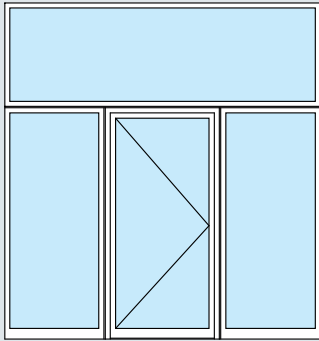
Hinge system	Single-leaf door	Double-leaf door, overall	Double-leaf door, traffic leaf	Distance leaf / wall (x)
3-way adjustable hinge, pivot point 20 mm	RAM - 218	RAM - 268	Division dimension - 145	75
3-way adjustable hinge, pivot point 36 mm	RAM - 234	RAM - 300	Division dimension - 161	91
Guide roller, pivot point 12 mm	RAM - 215	RAM - 262	Division dimension - 142	71
Concealed hinge, pivot point 9.5 mm	RAM - 178	RAM - 188	Division dimension - 104	34

Fixed glazings

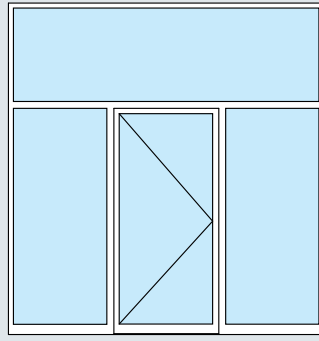
Design variations

Hörmann aluminium fire-rated doors are available either as a coupling construction for simple connection on location, or as complete elements with a vertical/horizontal profile construction. Thus they can be easily matched to the fitting situation at the construction site.

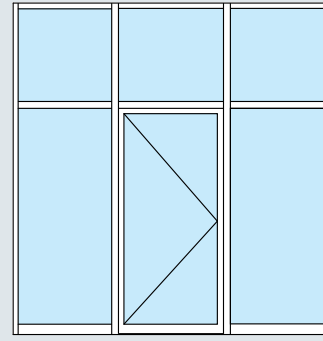
With the Hörmann plug-in system, the slim vertical/horizontal profile construction can also be assembled into walls of any size.



Coupling construction

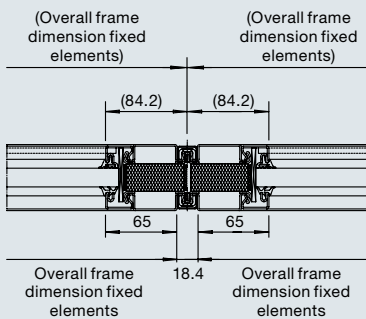


Vertical/horizontal profile construction as a complete element

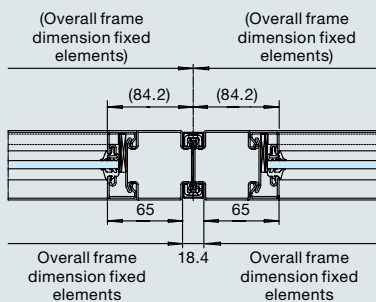


Vertical/horizontal profile construction as a plug-in system

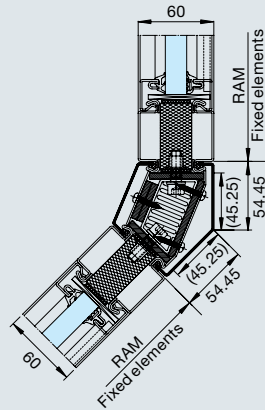
Coupling construction variants



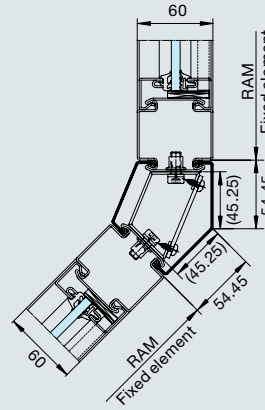
Steel S-Line F30 180° coupling (N-Line)



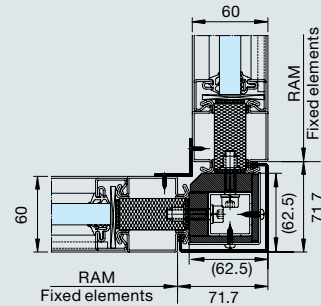
Steel S-Line RS/G30 180° coupling (N-Line)



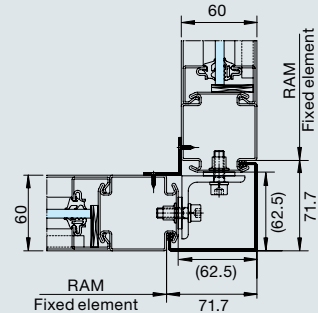
Steel S-Line F30 135° coupling (N-Line)



Steel S-Line RS/G30 135° coupling (N-Line)



Steel S-Line F30 90° coupling (N-Line)



Steel S-Line RS/G30 90° coupling (N-Line)

All dimensions in mm

T90 / F90 steel fire and smoke protection elements HL 910 F, HL 920 F, HL 930 F

Single and double-leaf doors, fixed glazing

NEW

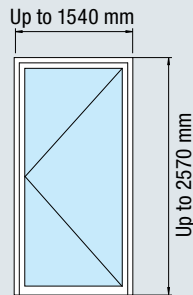


Main functions**T90****Fire-proof**HL 910 F
HL 920 F**F90****Fire-proof**

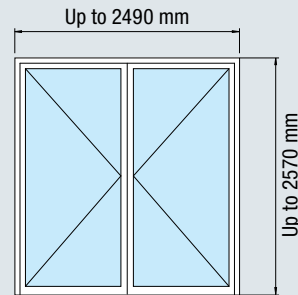
HL 930 F

RS**Smoke-tight**

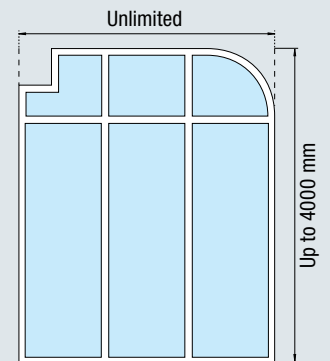
HL 910 F



HL 920 F



HL 930 F



	HL 910 F	HL 920 F	HL 930 F
Version	Single-leaf door	Double-leaf door	Fixed glazing
Profile system	Steel	Steel	Steel
Viewed frame width	70	70	70
Depth	70	70	70
Bottom section height	90	90	90
Fitting in			
Brickwork	≥ 175	≥ 175	≥ 175*
Concrete	≥ 140	≥ 140	≥ 140
Gas concrete	≥ 240	≥ 240	≥ 240
Partition wall	≥ 100	≥ 100	≥ 100

Wall requirements based on size can be found in the fitting instructions at www.hoermann.com

* Overall frame dimension height > 2600 mm: minimum wall thickness ≥ 240 mm

Size range	HL 910 F		HL 920 F	
	Width	Height	Width	Height
With fascia frame				
Overall frame dimension (ordering size)	700 – 1540	1725 – 2570	1400 – 2490	1725 – 2570
Clear passage	560 – 1400	1655 – 2500	1260 – 2350	1655 – 2500

Size range	HL 930 F	
	Width	Height
Overall frame dimension (ordering size)	Unlimited	4000**
Maximum door height**		2570

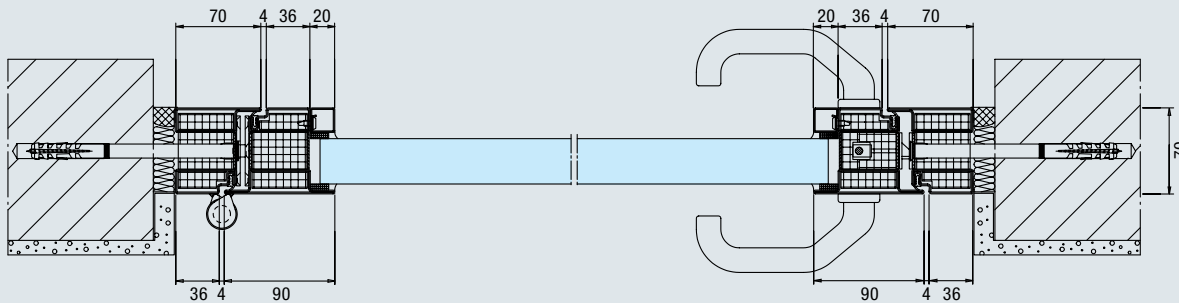
** For combination of door (HL 910 F, HL 920 F) and fixed glazing (HL 930 F)

All dimensions in mm

T90 / F90 steel fire and smoke protection elements

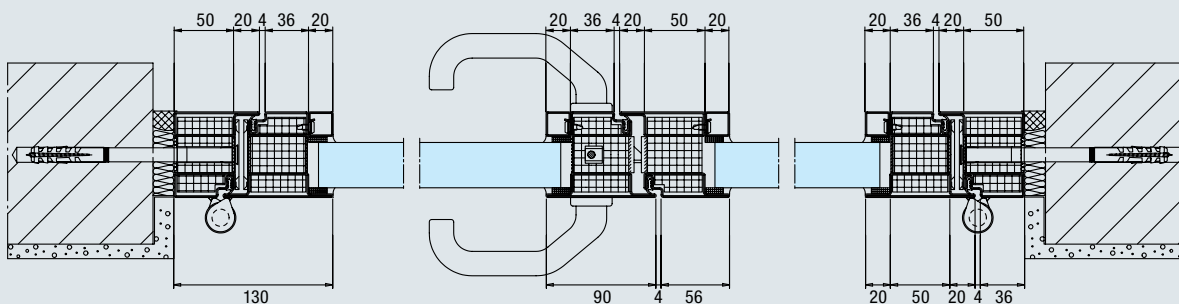
System overview

Single-leaf door with fascia frame



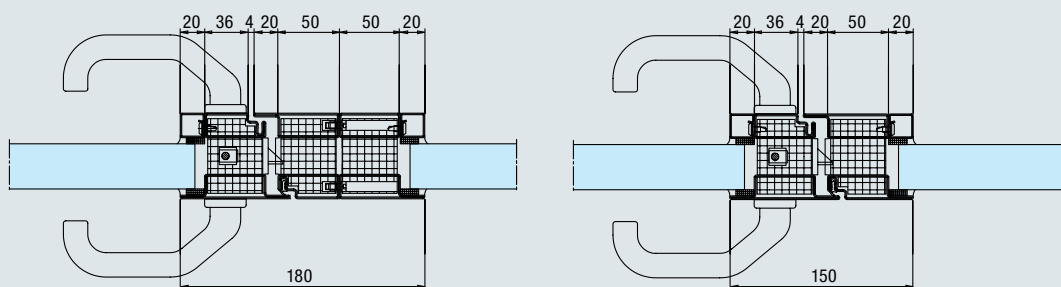
View of T90 steel

Double-leaf door with fascia frame



View of T90 steel

Fixed glazing



Door / fixed element coupled

Door / fixed element vertical profile construction

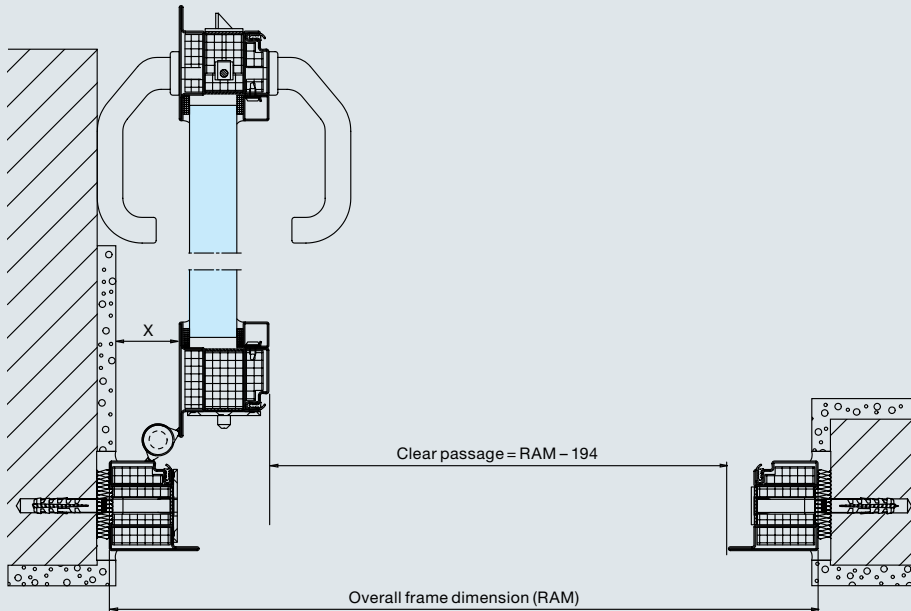
View of T90 steel

Clear passage

With door leaf opened by 90° and without fittings

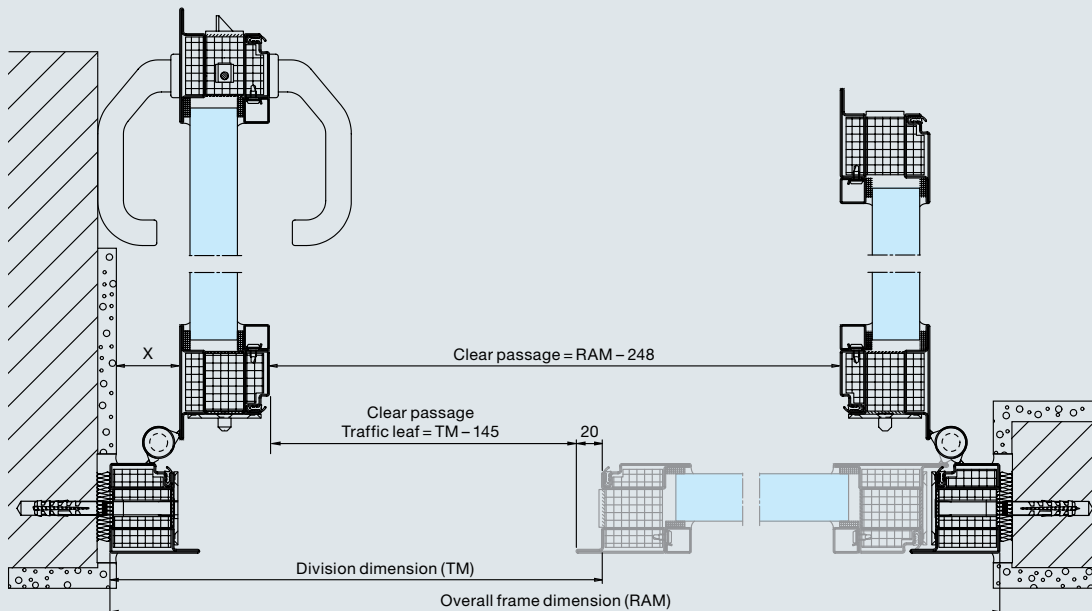
Single-leaf door

View of T90 steel fire and smoke-tight door, single-leaf with guide roller, pivot point 17 mm



Double-leaf door

View of T90 steel fire and smoke-tight door, double-leaf with guide roller, pivot point 17 mm



Hinge system	Single-leaf door	Double-leaf door, overall	Double-leaf door, traffic leaf	Distance leaf / wall (x)
3-way adjustable hinge, pivot point 20 mm	$RAM - 196$	$RAM - 252$	Division dimension - 146	66
3-way adjustable hinge, pivot point 36 mm	$RAM - 212$	$RAM - 284$	Division dimension - 162	82
Guide roller, pivot point 17 mm, fitting by welding	$RAM - 194$	$RAM - 248$	Division dimension - 145	65

Hörmann product range

Everything from a single source for your construction project

1 Sectional doors

These space-saving door systems can be adapted to different industrial facilities using various track applications. Hörmann offers you tailored solutions for every application.

2 Rolling shutters and rolling grilles

Thanks to a simple construction with just a few components, rolling shutters are both economical and sturdy. Hörmann supplies rolling shutters in widths and heights of up to 11.75 m and 9 m respectively, or as special doors which are even larger.

3 High-speed doors

Hörmann high-speed doors are used both inside and as exterior doors to optimise the flow of traffic, improve room conditions and save energy. The Hörmann programme includes vertically and horizontally opening transparent doors with flexible curtains.

4 Loading technology

Hörmann offers you complete loading systems for the logistics sector. The advantages: reliable planning, dependable execution of construction work and high functionality thanks to precisely matched components.

5 Fire and multi-purpose sliding doors

Hörmann can provide you with single or double-leaf sliding door solutions suitable for all areas and required fire protection classes, or without fire protection.

6 Multi-function doors and reinforced internal doors

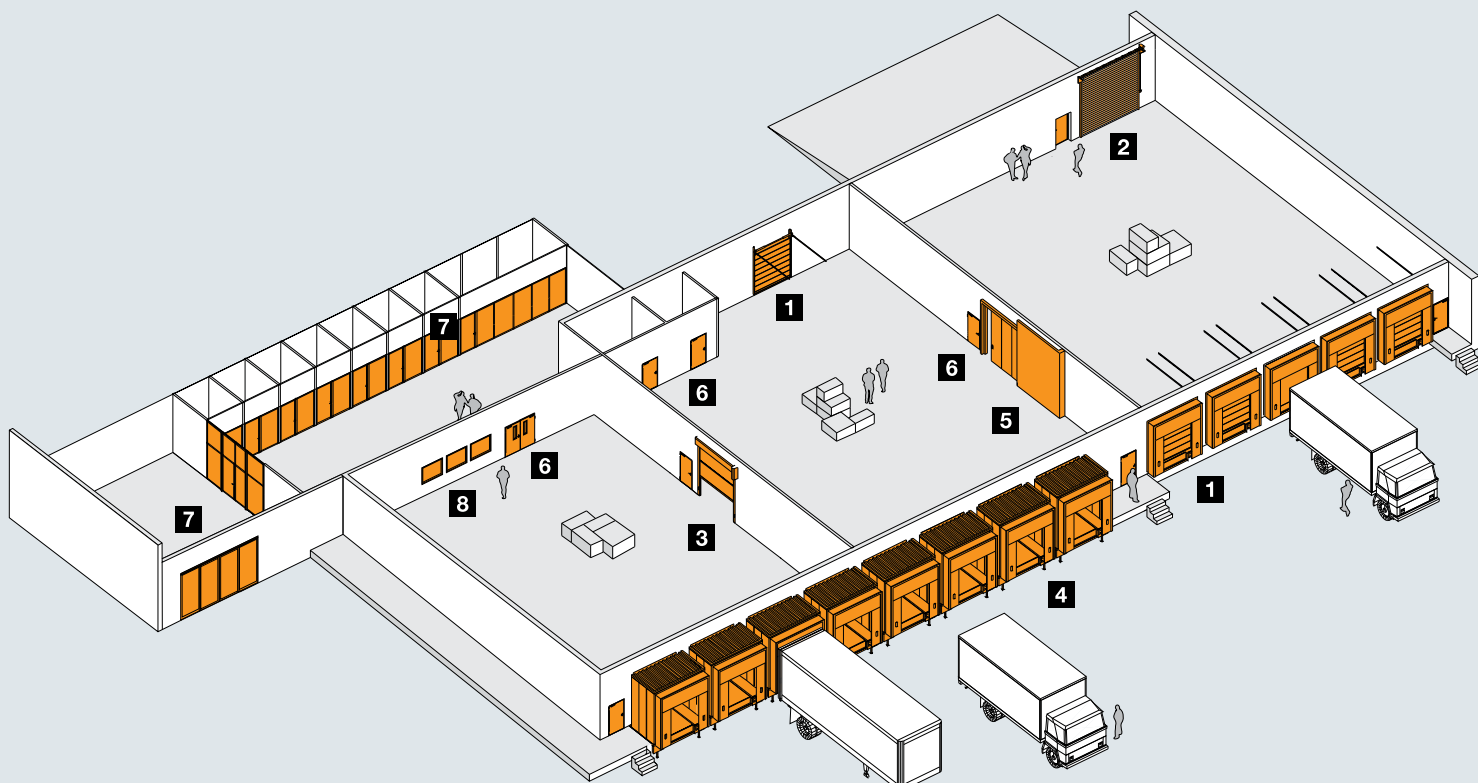
Hörmann multi-function doors and reinforced internal doors are suitable for indoor and outdoor use. Our single and double-leaf doors can be used wherever robust door elements are required. With numerous additional functions, such as fire and smoke protection, acoustic insulation or burglar protection.

7 Box frame parts

For areas in which appearance is important, such as administrative buildings, Hörmann offers you fire and smoke protection doors as well as steel and aluminium fixed glazing and automatic sliding doors, also suited for special fire protection requirements.

8 Visibility windows

Hörmann visibility glazings are used as windows or room-high elements to provide more light and better visibility.





Quick service with testing, maintenance and repairs
Our extensive service network means that we are always nearby and at your service around the clock.



Hörmann: Quality without Compromise



Hörmann KG Amshausen, Germany



Hörmann KG Antriebstechnik, Germany



Hörmann KG Brandis, Germany



Hörmann KG Brockhagen, Germany



Hörmann KG Dissen, Germany



Hörmann KG Eckelhausen, Germany



Hörmann KG Freisen, Germany



Hörmann KG Ichtshausen, Germany



Hörmann KG Werne, Germany



Hörmann Genk NV, Belgium



Hörmann Alkmaar B.V., Netherlands



Hörmann Legnica Sp. z o.o., Poland



Hörmann Beijing, China



Hörmann Tianjin, China



Hörmann LLC, Montgomery IL, USA



Hörmann Flexon LLC, Burgettstown PA, USA

Hörmann is the only manufacturer worldwide that offers you a complete range of all major building products from one source. We manufacture in highly-specialised factories using the latest production technologies. The close-meshed network of sales and service companies throughout Europe, and activities in the USA and China, make Hörmann your strong partner for first-class building products, offering “Quality without Compromise”.

GARAGE DOORS
OPERATORS
INDUSTRIAL DOORS
LOADING EQUIPMENT
HINGED DOORS
DOOR FRAMES

