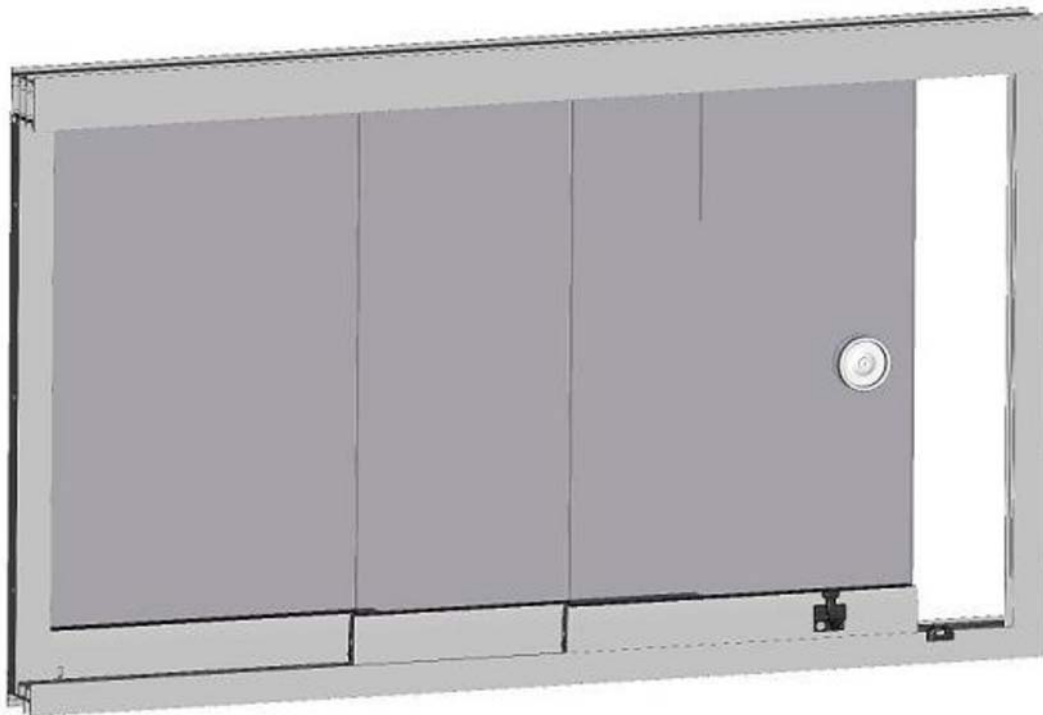


Maintenance Instructions and Directions for Use

All-glass sliding door w17-c



Important notes for retailers/partners and end users

Please read carefully before using!
These instructions must be kept by the end user

Last revised: August 2012

All-glass sliding door w17-c

1	Contents	
1	Contents.....	2
2	Reading the Maintenance Instructions and Directions for Use.....	4
2.1	Warnings.....	4
2.2	Tips and recommendations	4
3	Safety notes	5
3.1	Fundamental safety notes	5
3.2	Proper and safe use.....	5
4	Description of construction and function.....	5
5	Maintenance.....	6
5.1	Cleaning.....	6
5.2	General cleaning guidelines	6
5.3	Cleaning powder-coated aluminium profiles	6
5.3.1	In saltwater areas	6
5.3.2	In non-saltwater areas	6
5.4	Cleaning the glass panels	7
5.5	Cleaning the bottom guide profile.....	7
5.6	Cleaning stainless steel parts.....	7
5.7	Cleaning the water drains.....	8
5.8	Important guidelines for the winter season	8
5.9	Maintenance work	8
6	Operation	9
6.1	Safety notes	9
6.2	Operating in heavy winds	9
6.3	Operating forces and sliding speed	9
6.4	Available handles	11
6.5	Opening the active leaf.....	12
6.6	Closing the active leaf	13
6.7	Opening the end leaf.....	15
6.8	Closing the end leaf	17
6.9	Operation with recessed bottom guide profile.....	18
6.10	Operating a w17-c with lockcase and hung bolt (optional).....	18
6.11	Opening and closing the lockcase and hung bolt	19
6.11.1	Notes on operating the lockcase with hung bolt from the outside.....	20
6.12	Fitting and removing the gap seals and brush profiles.....	21
6.12.1	Assembly of the brush profiles	21

6.12.2 Assembly of the gap seal on lockplate versions22

7 Disposal22

8 Other weinor products23

8.1 Your dream patio any time of year23

All-glass sliding door w17-c



2 Reading the Maintenance Instructions and Directions for Use

Read the Maintenance Instructions and Directions for Use before using the product for the first time. For personal safety, it is important that these instructions are complied with. Non-compliance means the manufacturer does not carry any liability.


All instructions and directions for use supplied with the awning must be kept by the customer and passed on to the new owner if the awning is sold on.

2.1 Warnings

The warnings differentiate between personal injury and damage to property. The signal word "Danger" is used for personal injury, and "Caution" for property damage.

 DANGER	Immediate danger to life and limb!
 CAUTION	Immediate danger to product and environment!

2.2 Tips and recommendations

	Highlights tips and information that make for correct use of the product.
---	---

3 Safety notes

3.1 Fundamental safety notes

 **DANGER****Personal injury**

Risk of personal injury due to improper use of the glazing elements.
Please read and observe the safety notes contained in this section.

 **CAUTION****Product and property damage**

Risk of damage to the product and property due to improper use of the glazing elements.
Please read and observe the safety notes contained in this section.

3.2 Proper and safe use

weinor glazing elements are intended to be fitted in conservatories, under patio roofs or other connecting passages.

Glazing elements may only be used for vertical glazing.

Important! Please remember that certain areas require the use of laminated sheet glass (LSG) or single pane safety glass or single pane safety glass with heat-soak test.

The planning and installation of glazing elements in or around parapets or in areas requiring guardrails must be performed in accordance with current regulations and guidelines and are the responsibility of the site foreman.

All supplied profiles and components (especially frame and stave profiles) must be fitted without fail.

4 Description of construction and function

Only high-quality corrosion resistant or anti-corrosion materials are used in the glazing elements. The profiles are made of extruded aluminium. All connecting parts, such as screws, are made of stainless steel. All outside aluminium parts are powder coated.

All-glass sliding door w17-c

5 Maintenance

5.1 Cleaning

- Cleaning aluminium parts and aluminium profiles
- Cleaning the glass panels
- Cleaning the bottom guide profile
- Cleaning stainless steel parts
- Cleaning the water drains

5.2 General cleaning guidelines

- Acids and aggressive cleaning agents such as abrasives, steel wool, scouring pads and knives/blades, as well as solvent-based cleaners (thinner, benzene) are not suitable cleaning materials and may cause irreparable damage.
- All regulations relating to accident prevention, environmental compliance and sealing off the immediate surroundings must be observed at all times.

5.3 Cleaning powder-coated aluminium profiles

- So that you may enjoy your all-glass sliding door for many years to come, we recommend that you clean the aluminium profiles at least once a year – and even more often if heavily soiled.
- To do so, use plain water only, which may also contain minor amounts of pH-neutral or very weakly alkaline detergents.

5.3.1 In saltwater areas



Product damage

In saltwater areas, there is a distinct possibility that salt may disperse or accumulate on the product.

- ▶ **Wash off any salt deposits at regular intervals or as required, but no less than twice a year. Recommendation: call in a specialist company to do the work for you. This is a good way to protect the aluminium parts and their surface from being corroded by salty water.**

5.3.2 In non-saltwater areas

Clean the aluminium parts at least once a year, and even more often if heavily soiled. To clean, use clean water and add a few drops of pH-neutral or very slightly alkaline detergent.

All-glass sliding door w17-c

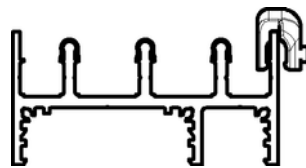
5.4 Cleaning the glass panels

- Use ample amounts of clean water to avoid dirt particles scratching the surface.
- Use neutral cleaning agents as far as possible to clean the glass panels.
- Do not use sharp objects to clean the glass panels as these may damage the glass.
- Clean sand-blasted glass surfaces (e.g. satin glass), with or without anti fingermark finish (special surface coating) using clear water and a soft cloth only. The use of aggressive alkaline-based or acid-based cleaning agents will result in damage to the anti fingermark finish.

5.5 Cleaning the bottom guide profile

- Keep the bottom guide profile free of coarse dirt, e.g. by using a vacuum cleaner.
- Coarse dirt can impair the smooth operation of the leafs.

Figure 1: Bottom guide profile



5.6 Cleaning stainless steel parts

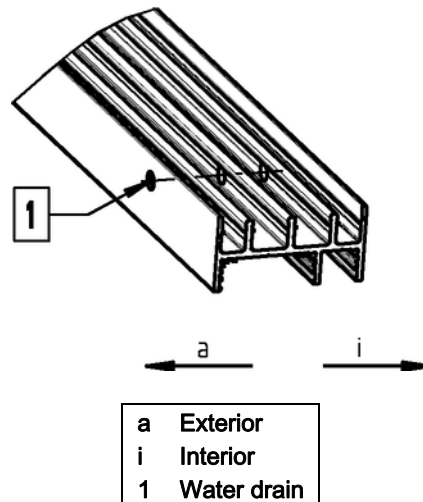
- All exposed steel parts are made of high-grade, low-corrosion stainless steel as standard. However, this does not fully exclude these parts displaying minor signs of corrosion, especially if located near industrial plants or areas where saltwater is prevalent. This so-called flash rust can be easily removed using standard household steel polish and plenty of water.
- Should you find the incidence of flash rust to be particularly high or that the rust cannot be removed, we recommend that you replace these parts with ones which are even more corrosion-resistant. These can be ordered from weinor.

All-glass sliding door w17-c

5.7 Cleaning the water drains

To ensure proper water drainage, make sure that all water drains have been cleared of coarse dirt and foreign bodies. Also clear any snow and ice in winter.

Figure 2: Bottom guide profile with water drainage



5.8 Important guidelines for the winter season

- During wintry conditions and snowfalls, and when temperatures fluctuate around freezing point, you may find snow has settled and/or ice has formed on inner and outer parts or inside the bottom guide profile, which may result in leaves, locks or catches freezing and you being unable to use these parts. These are not product deficiencies.
- To restore the parts in question to full operability, you will need to free them from any snow and ice in the proper manner.

5.9 Maintenance work

- Check the moving and locking mechanisms at regular intervals to ensure they are still in proper working order.
- Clean all parts at regular intervals that are in contact with other parts (such as the bottom guide profile which comes into contact with the rollers) as well as all moving parts, and lubricate with silicone oil if required.
- Parts subject to wear and tear should be replaced by professionally trained staff if they are no longer functional.
- If construction work is being carried out near the glazing elements, ensure that all surfaces (aluminium profiles and glass) are fully protected to prevent any damage resulting from wet mortar, plaster or any other materials that might damage the glazing elements.

All-glass sliding door w17-c

6 Operation

6.1 Safety notes



DANGER

Risk of squashing and trapping

Beware of hands and feet being injured or squashed

- ▶ **Keep children away from the unit.**

- The glazing element is a cold element without thermal separation, with gaps both between and underneath the leafs.
- As a result, the glazing element offers no insulation against heat or cold and only limited means of keeping out wind or rain. Gap and brush seals (optional extras) can be used to improve the tightness of the glazing element. It is not possible to seal it entirely, however. Using gap and brush seals increases the risk of condensation forming on the inside
- The thermal energy emitted by sunlight causes exposed outer surfaces to heat up naturally. This process causes a relatively high rise in temperature (50-60 °C or higher) on dark surfaces in particular.
- In very cold climates, however, the temperature of exposed surfaces can fall dramatically (even to below zero).
- Since aluminium is a very good conductor of heat, there is a potential danger that the inner surfaces will also become very hot (ranging from uncomfortably hot to a risk of burns) or very cold (potential risk of condensation forming).

6.2 Operating in heavy winds



CAUTION

Risk of breaking glass

Glass panes colliding due to the effects of the wind

- ▶ **The w17-c must be closed if winds reach at least force 7, which is defined as whole trees in motion; inconvenience felt when walking against wind.**

6.3 Operating forces and sliding speed

Operating forces:

- The amount of force required to slide a leaf open or to close it ranges from between 2 and 8 kg depending on the size of the leaf.
- This means that on e.g. a 5-leaf unit with large leafs the amount of force required to move the four sliding leafs can be as much as 32 kg.
- The amount of force given here presupposes that the unit has been installed perfectly horizontally, that the guide profiles are free from dirt and the rollers run smoothly.
- The presence of dirt and foreign bodies in the guide profiles will increase the amount of force that is required.
- To keep the operating force as low as possible, the guide profiles should be cleaned and the rollers lubricated at regular intervals.

All-glass sliding door w17-c

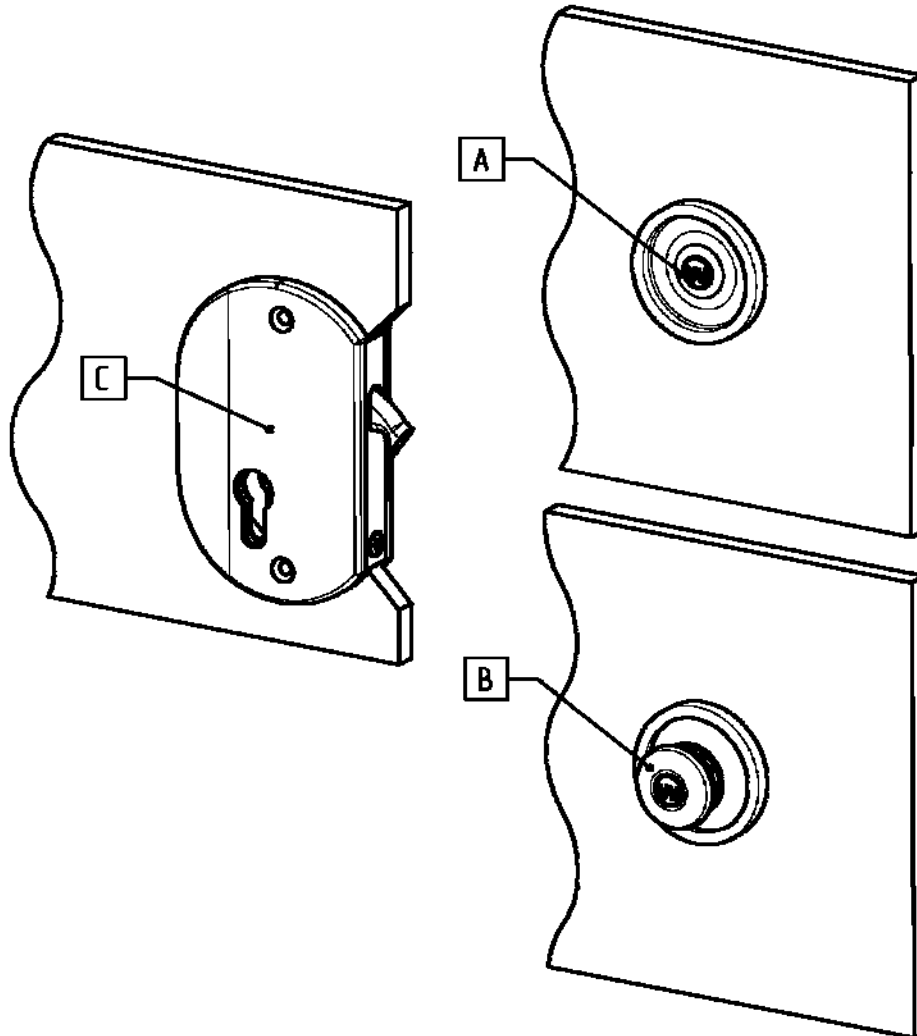
Sliding speed

- When sliding the leafs, never exceed a walking pace. Sliding the leafs at a faster pace or slamming them open or shut may result in damage to the locks, catches, glass panels and profile coating.

All-glass sliding door w17-c

6.4 Available handles

Figure: Available handles



- | |
|---|
| <p>A Cup pull handle without attachment (standard)</p> <p>B Cup pull handle with attachment
(can be retrofitted; the attachment is supplied with your unit)</p> <p>C Lockcase and hung bolt
(optional extra: must be specified at time of order as it cannot be retrofitted)</p> |
|---|

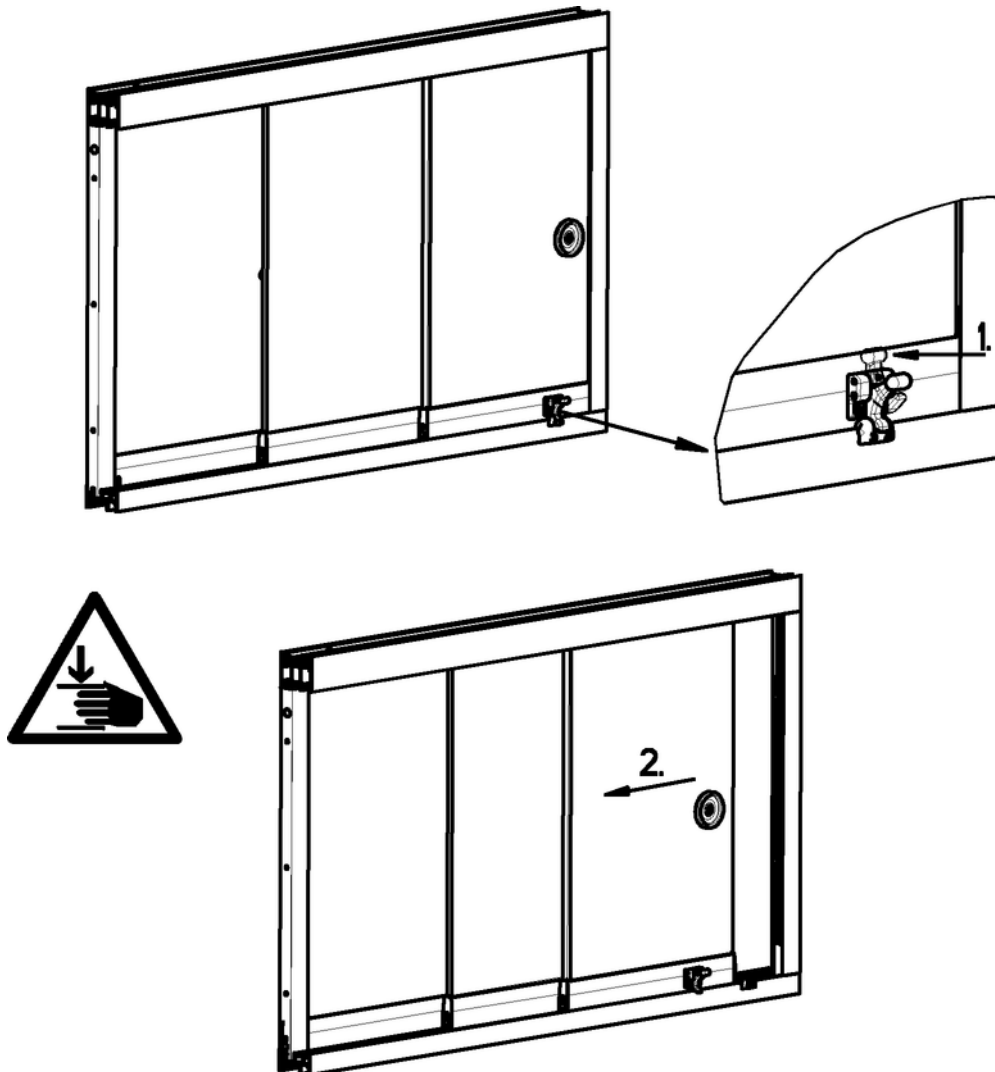
All-glass sliding door w17-c

6.5 Opening the active leaf



Caution: risk of squashing!

Figure 4: Opening the active leaf



As it is easier to slide the leaves by the glass panel itself rather than sliding or pulling the leaves by the cup pull handle, we recommend that you only slightly open the leaf by the cup pull handle (approx. 5 cm). Then take hold of the glass panel to slide the leaf even more.

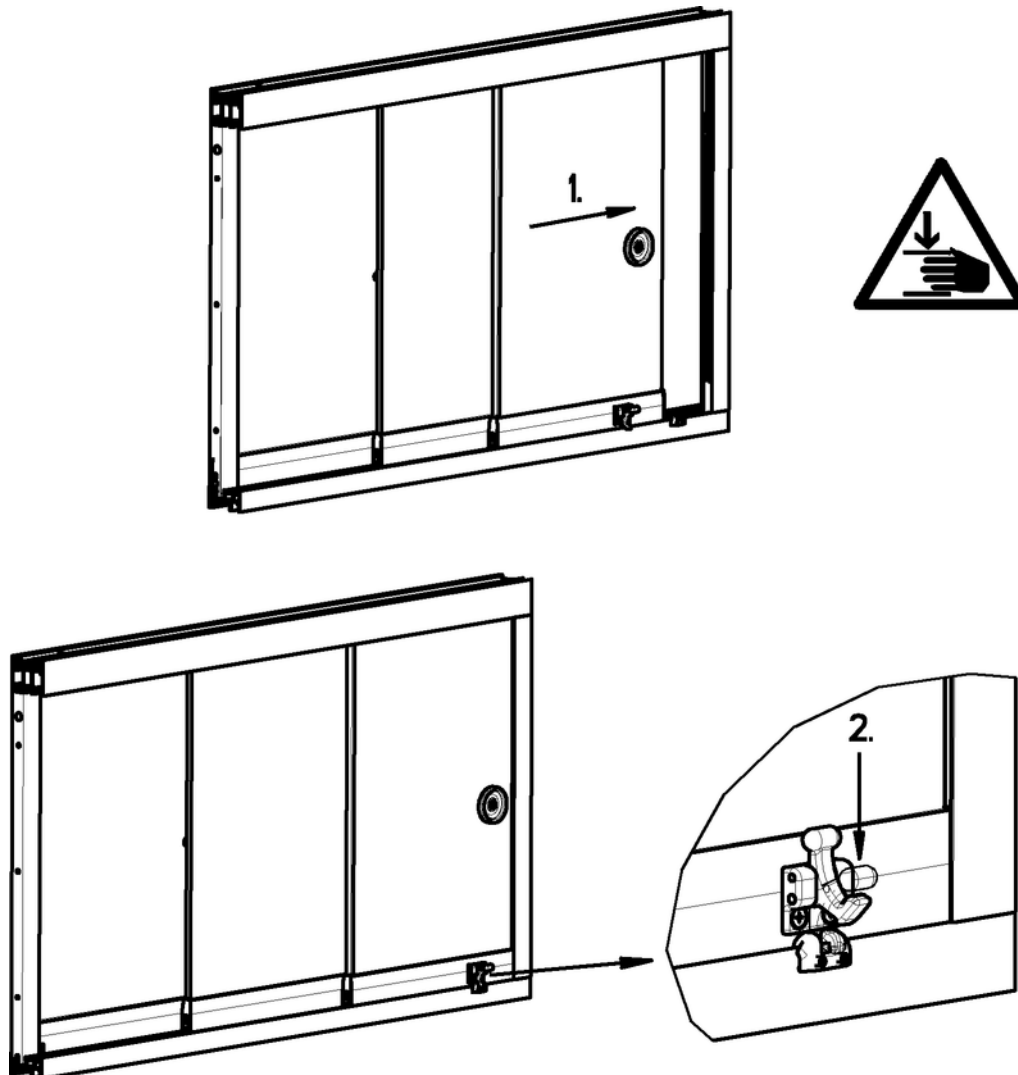
All-glass sliding door w17-c

6.6 Closing the active leaf



Caution: risk of squashing!

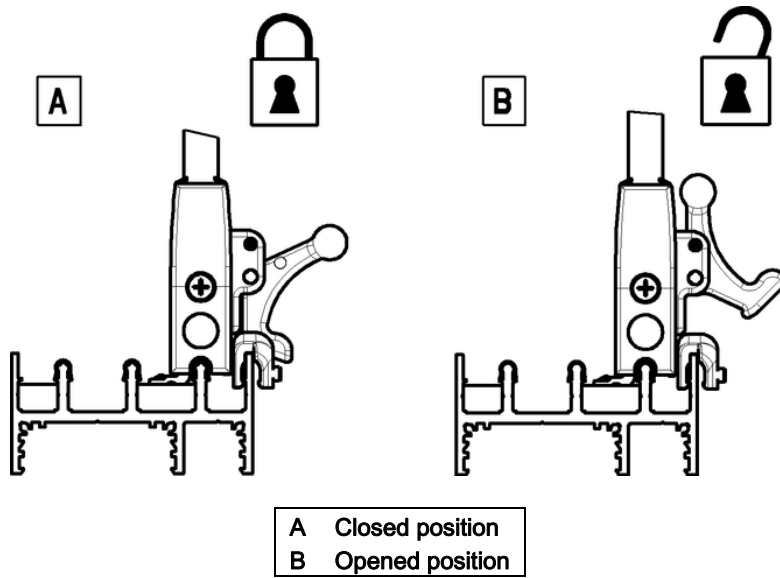
Figure 5: Closing the active leaf



Note: As the locking mechanism on the active leaf can only be operated from the inside because it automatically engages with the latch bolt on closing (provided the lever handle is not in "opened position"), there is always a risk that you may be locked out! To avoid this, lift the handle until it locks into "opened position".

All-glass sliding door w17-c

Figure 6: Handle position



All-glass sliding door w17-c

6.7 Opening the end leaf

- As a rule, the end leaf on the w17-c always remains closed.
- It may be opened, however, to carry out cleaning or similar tasks.



Caution: risk of squashing!

Figure 7: Open the locking mechanism on the end leaf

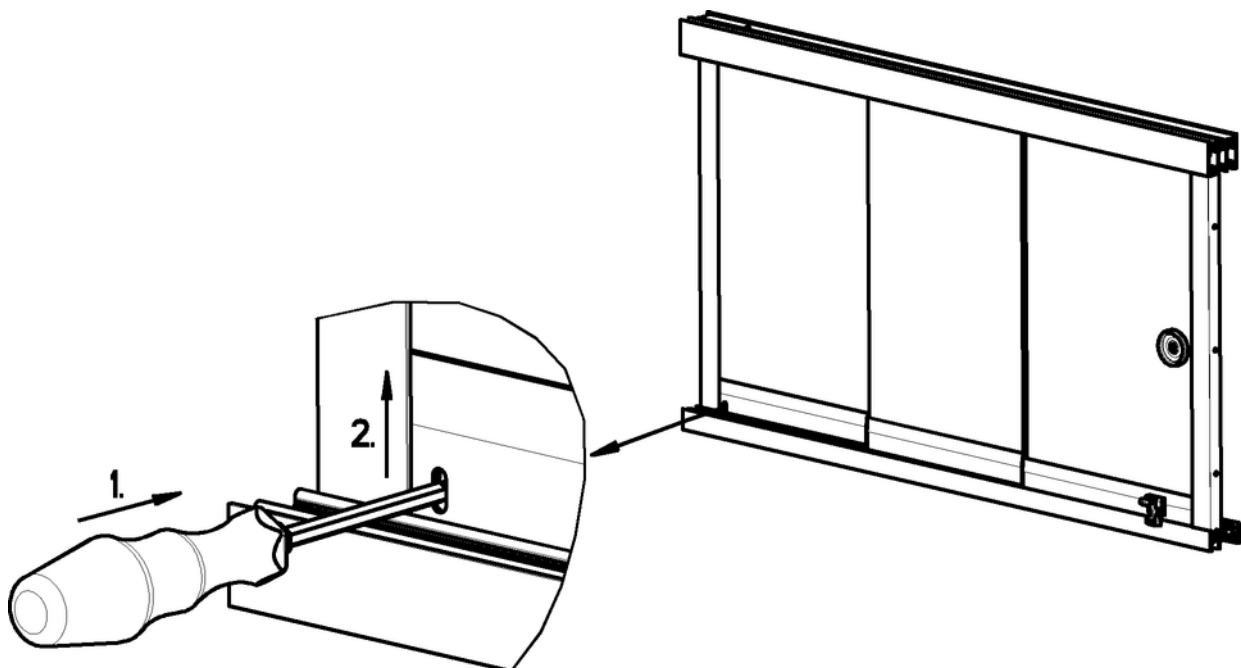
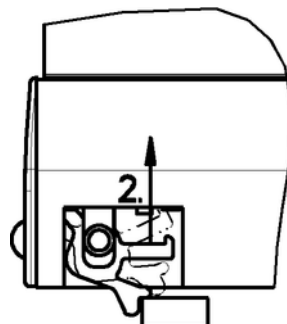
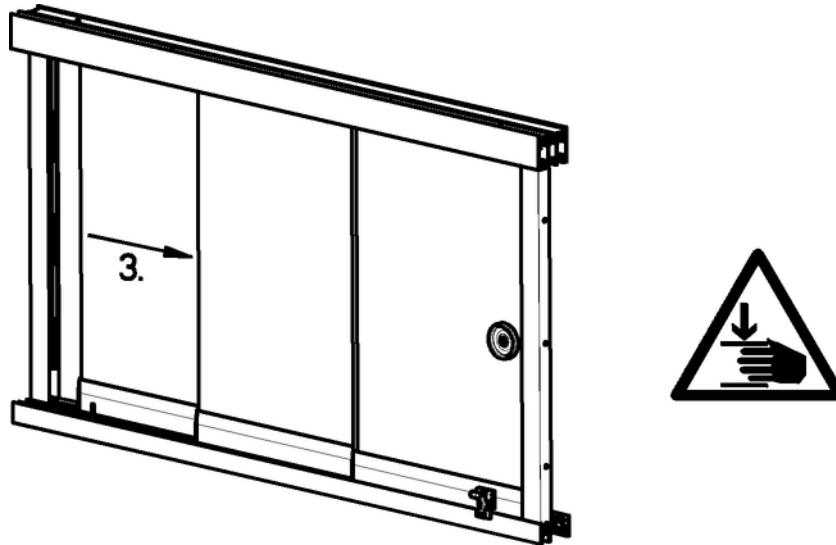


Figure 8: Engage the hook



All-glass sliding door w17-c**Figure 9: Closing the end leaf**

As a rule, the end leaf on the w17-c always remains closed
It may be opened, however, to carry out cleaning or similar tasks.

All-glass sliding door w17-c

6.8 Closing the end leaf

Figure 10: Close the end leaf

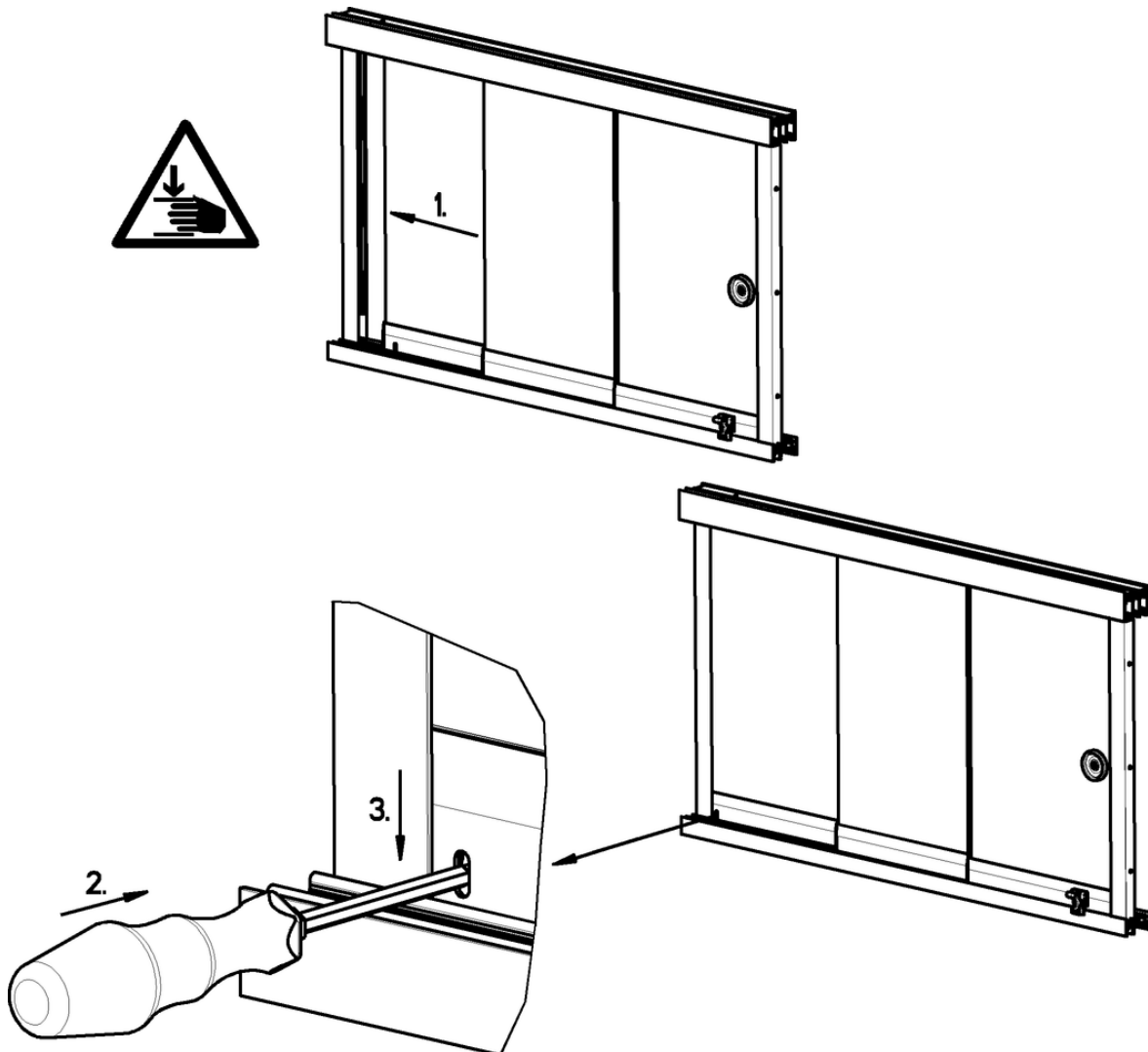
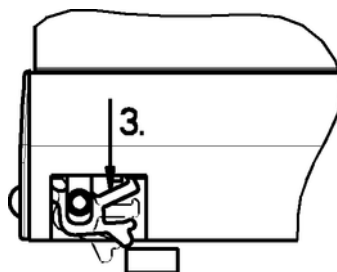


Figure 11: Engage the hook

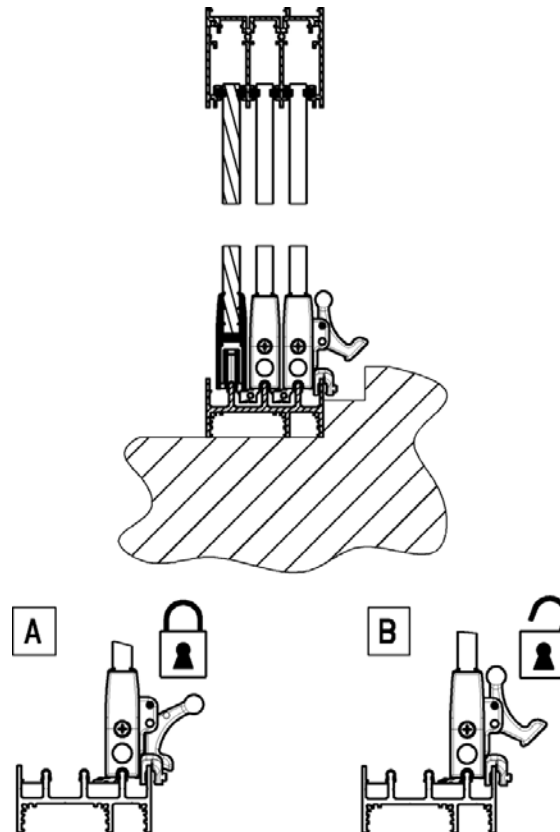


Points 2 and 3 are not absolutely essential because the hook usually engages automatically.

All-glass sliding door w17-c

6.9 Operation with recessed bottom guide profile

Figure 12: Bottom guide profile recessed into the ground



A Closed position

B Opened position

On versions with a recessed bottom guide profile, the locking mechanism lever handle may drag along the ground when opening and closing the w17-c if it is not locked into the "opened" position. This dragging action may result in the lever handle being scratched or damaged. For this reason, please ensure that the locking mechanism lever handle locks into the "opened" position before moving the leaves.

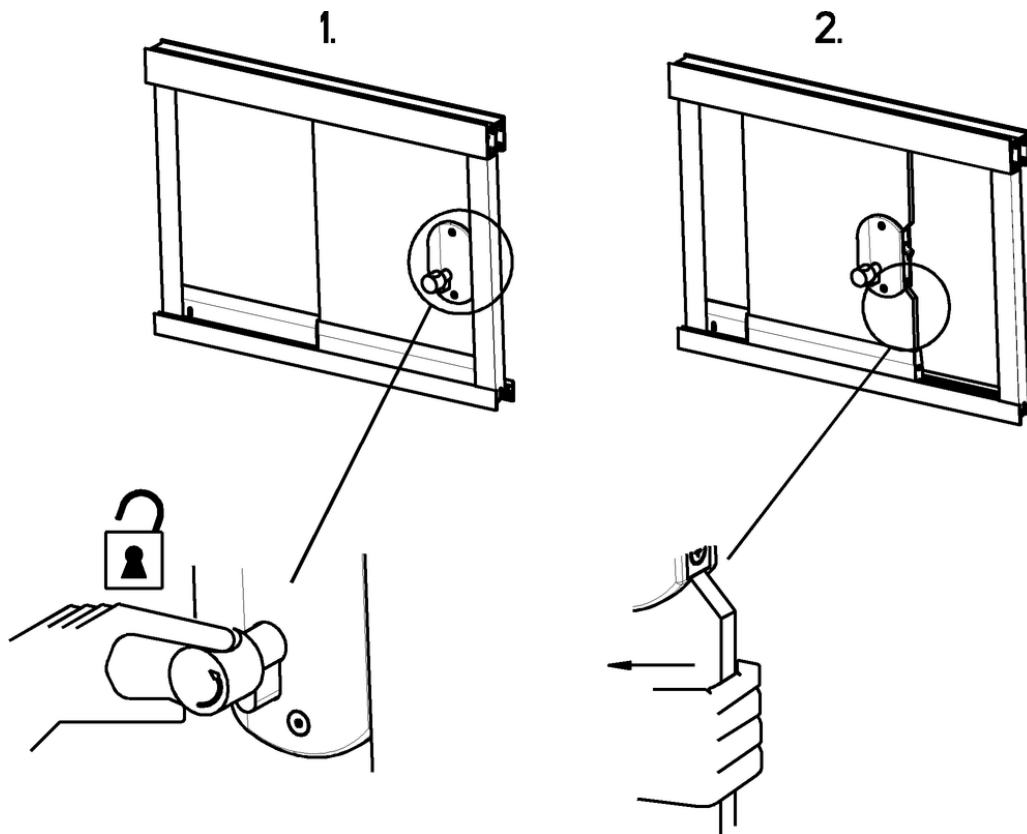
6.10 Operating a w17-c with lockcase and hung bolt (optional)

- The w17-c can be ordered with a lockcase and hung bolt as an optional extra.
- Depending on the version that is ordered, the lockcase and hung bolt can be operated from the inside or from both the inside and outside.

All-glass sliding door w17-c

6.11 Opening and closing the lockcase and hung bolt

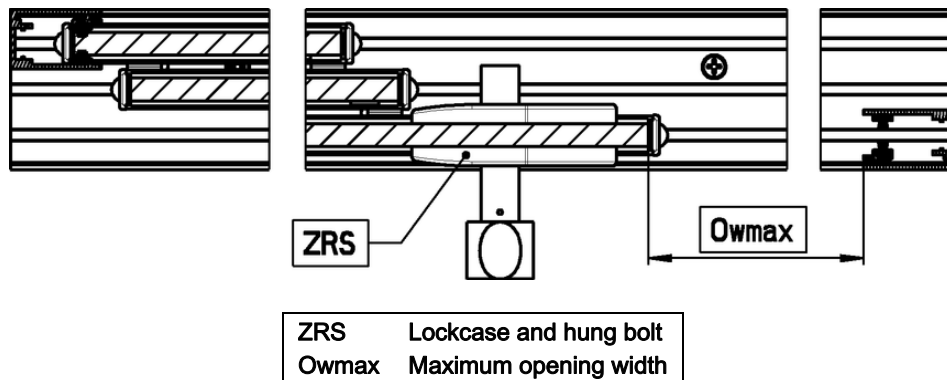
Figure 13: Opening the w17-c using a lockcase with hung bolt



- Open the lockcase and hung bolt by turning the knob on the inside or by turning the key on the outside (only possible if the corresponding lock is fitted).
- We recommend that you use the knob or the key only to slightly open or close the leaf.
- To open or close the leaves the rest of the way, we recommend that you slide them by the glass panels themselves. This will reduce the strain on the lock and keys and keep them working longer. The key in particular is subjected to extreme strain if used to slide the leaves shut and may become damaged as a result.
- On a w17-c with lockcase and hung bolt, it is vital that the lock does not bang against the glass panels on the adjacent leafs as both the lock and the glass panels may be damaged as a result. To avoid this, catches have been inserted into the bottom glass retainer profile. When the unit is open, the leafs will stop in the positions shown in the figure below.

All-glass sliding door w17-c

Figure 14: Maximum opening width on a w17-c



6.11.1 Notes on operating the lockcase with hung bolt from the outside

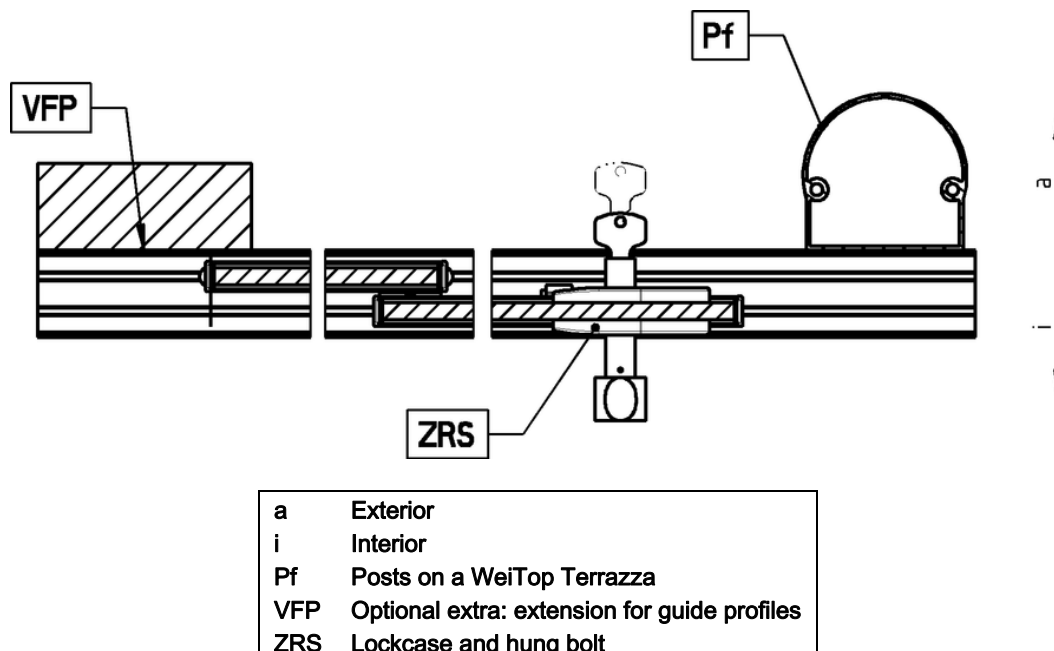
Only applies to units operated from the outside:

- Components / walls or similar items located directly in front of the w17-c may hamper operation of the w17-c as there is a chance that key on the lockcase will collide with adjoining components.
- To prevent damage occurring to the key or adjoining components, always ensure that the key is removed from the lock before sliding the leafs.

Examples of components located in front of the w17-c include but are not limited to:

- The posts on a WeiTop Terrazas if the w17-c is fitted behind the posts.
- A wall if the extension of guide profiles option is chosen

Figure 15: w17-c operated from the outside

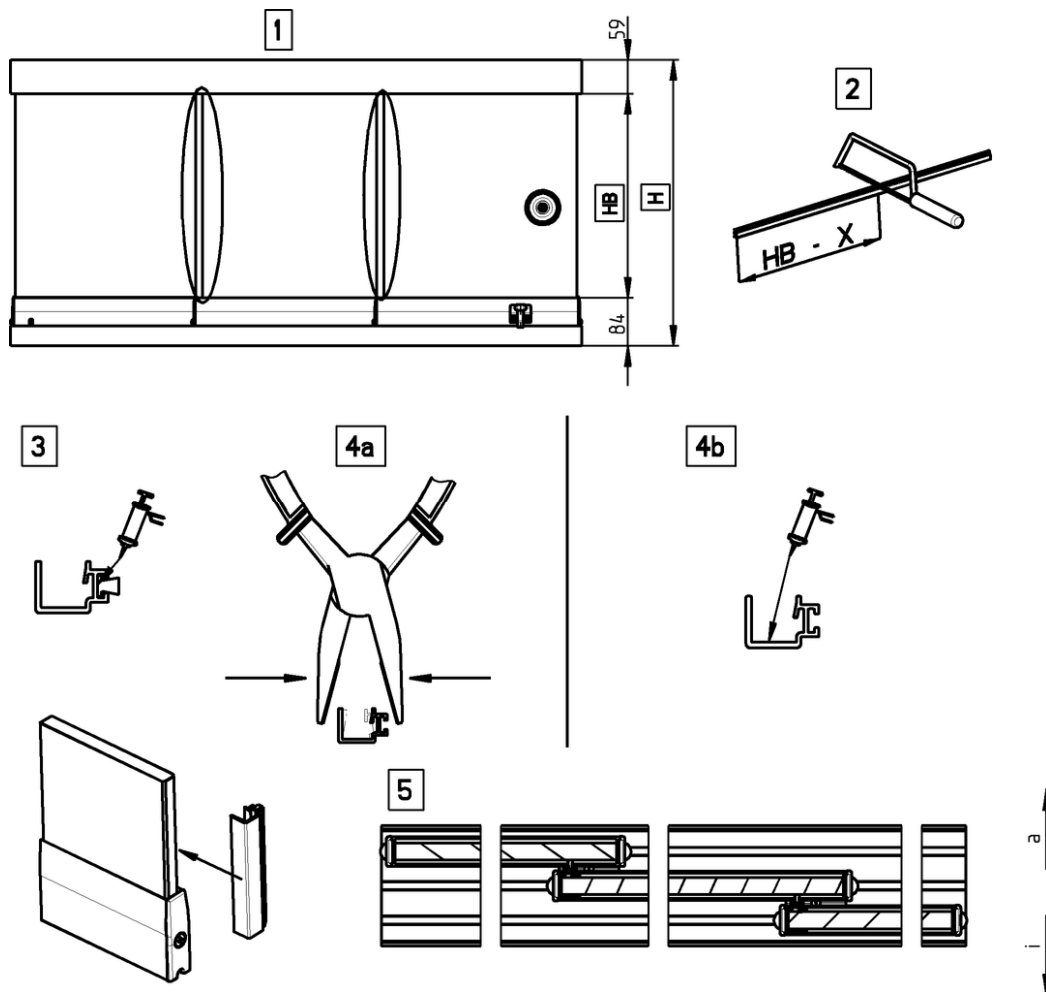


All-glass sliding door w17-c

6.12 Fitting and removing the gap seals and brush profiles

6.12.1 Assembly of the brush profiles

Figure 16: Assembly of the brush profiles



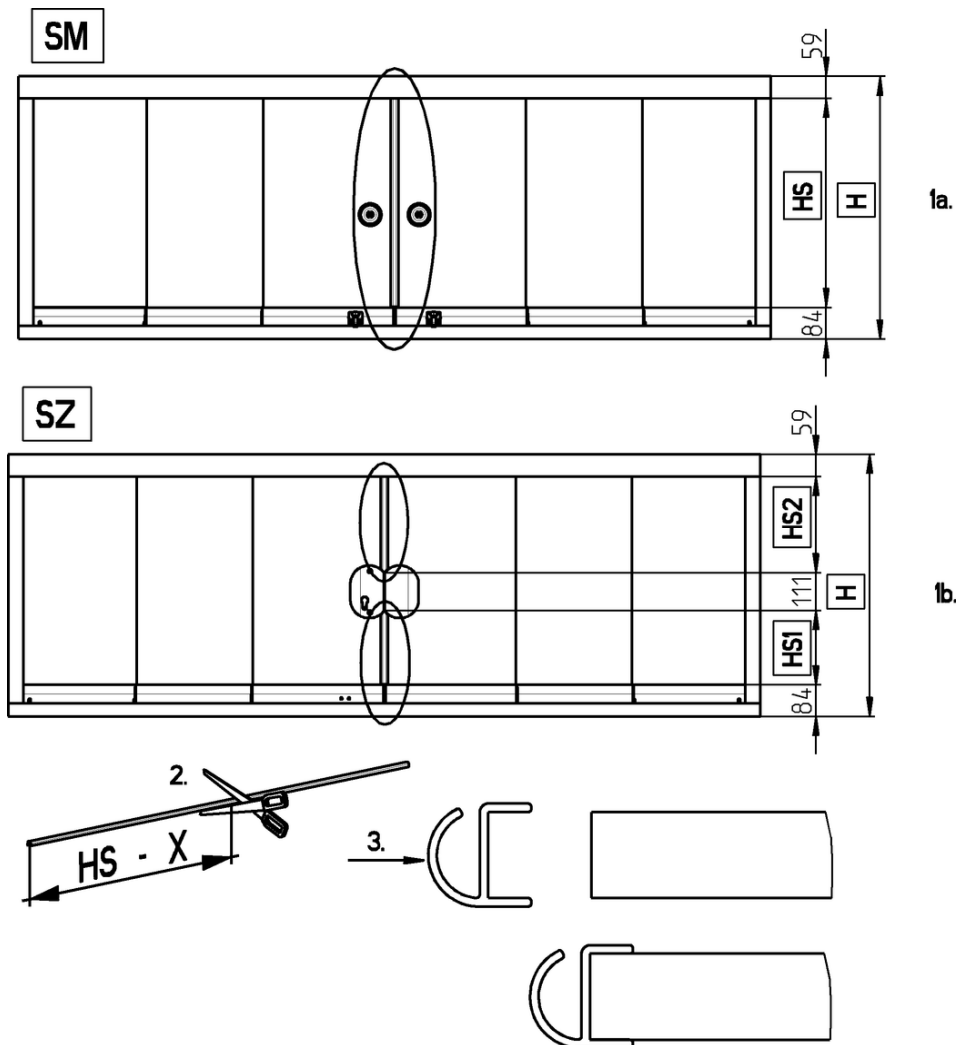
- a Exterior
i Interior
H Height of w17-c
HB Max. height of brush profile
X When trimming the brush profile, take into account that the top guide profile may sag. By way of preventing the brush profile from jamming between the top guide profile and the glass retainer, subtract the dimension X from HB.
- 1 Determine the maximum height (HB) of the brush profile
 - 2 Saw the brush profile to the required length
 - 3 Glue the brush inside the brush profile if necessary
 - 4a Using a pair of pliers, carefully squeeze the brush profile approx. every 500 mm until it attaches to the glass panel on its own and cannot fall out when the w17-c is in use.
 - 4b Permanent fitting: glue the brush profile onto the glass panel
 - 5 Attach the brush profile to the glass panel. Always attach the profile from the inside so that the brushes face outwards.

If the brush profiles are to be fitted so that they can be removed at any time, they can be removed as needed by peeling them evenly off the glass panel. When doing this, be careful not to bend the brush profile.

All-glass sliding door w17-c

6.12.2 Assembly of the gap seal on lockplate versions

Figure 17: Fitting the gap seal on lockplate versions



- | | |
|-------------|---|
| 1 | Loosen the grub screws on the leaf stop until you can move the stop |
| 2 | Trim the gap seal accordingly. By way of preventing the gap seal from jamming between the parts directly above and below it, take off a little more from the gap seal than normal (HB-X). |
| 3 | Attach the gap seal to the glass pane. |
| HS | Maximum height of gap seal |
| HS1,
HS2 | Partial heights of gap seal |
| H | Height of w17-c |
| SM | Lockplate version with cup pull handle |
| SZ | Lockplate version with lockcase and hung bolt |

- On lockplate versions, a gap seal is fitted to each of the two active leaves.

7 Disposal

Although this product does not contain any materials which pose a risk or danger to the environment, the parts making up the folding door must nevertheless be disposed of properly.

All-glass sliding door w17-c

8 Other weinor products

8.1 Your dream patio any time of year

No matter what you want to use your patio for, weinor has the right product for you - awnings, patio roofs, Glasoase®, conservatories.

Your weinor partner is an experienced specialist who will gladly provide you with advice on everything from planning to realising your product. He will help you turn your patio dreams into reality and is there whenever you need help or advice - to give you peace of mind from the very beginning.



- | | |
|---|----------------|
| 1 | Awnings |
| 2 | Patio roofs |
| 3 | Glass oases |
| 4 | Conservatories |